



TRANE®

**TR1™ Series VFD
Variable Frequency Drive**

**Four Relay
Option Card**

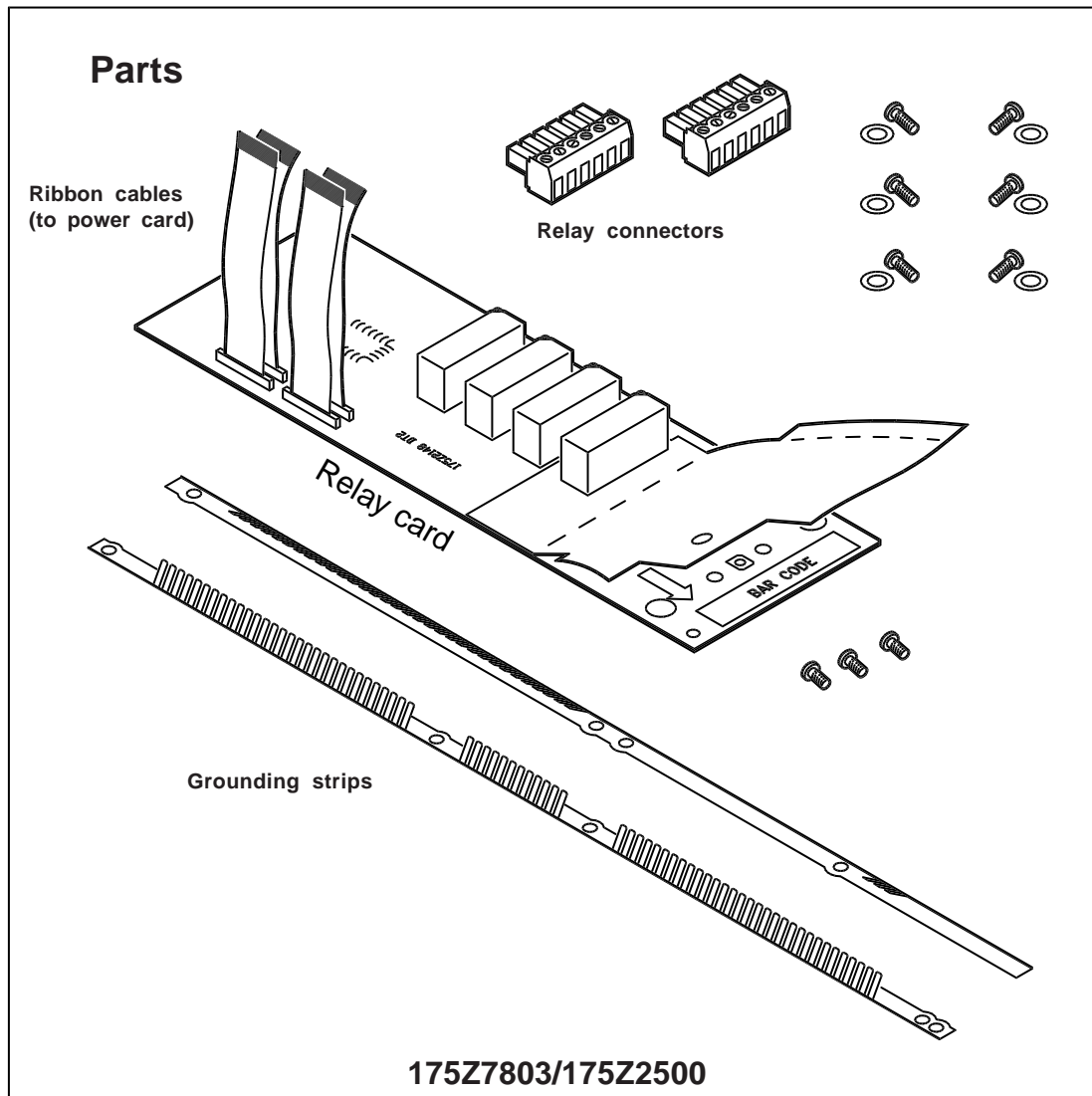
Installation Instructions

**240 VAC
2 Amp
Form C Programmable Relays**

October, 2003
175R5591

TR1-SVN01-EN

⚠ CAUTION Relay Card is an ELECTROSTATIC SENSITIVE DEVICE.



⚠ DANGER

Touching electrical parts may be fatal, even after equipment has been disconnected from AC line. To be sure that capacitors have fully discharged, wait 14 minutes for 208 V and 460 V units and 30 minutes for 600 V units over 25 hp after power has been removed before touching any internal component.

NEMA 1

TR1 6002 - 6004, (1-3 hp) 200/240 V

TR1 6002 - 6011, (1-10 hp) 380/460 V

TR1 6002 - 6011, (1-10 hp) 550/600 V

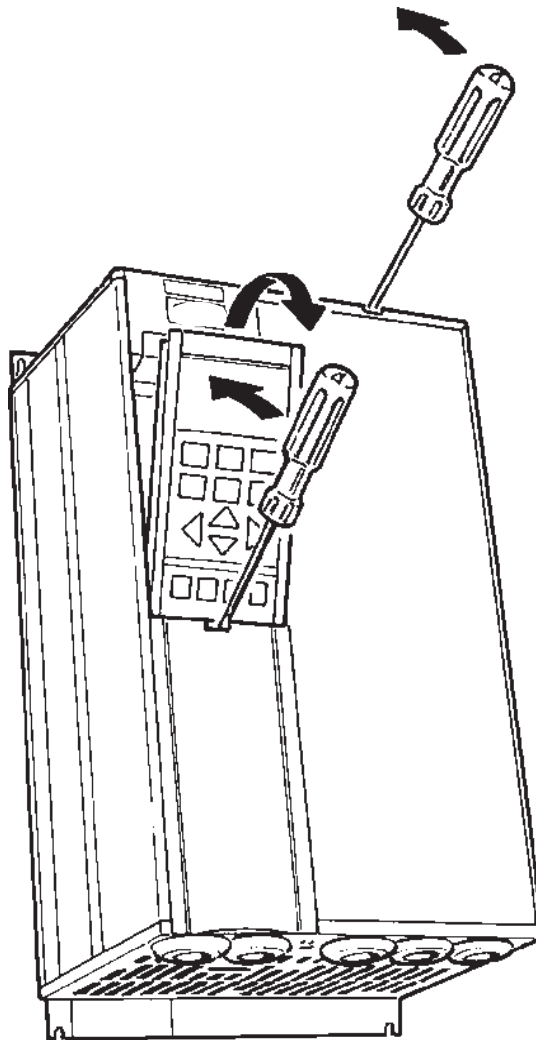


⚠ WARNING

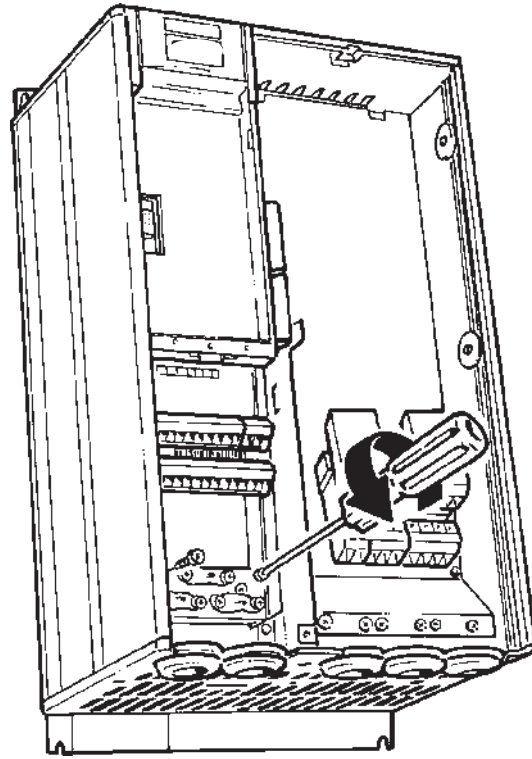
Electronic components within the TR1 Series VFD are susceptible to Electrostatic Discharge (ESD).

ESD can reduce performance or destroy sensitive electronic components. Follow proper ESD procedures during installation and servicing to prevent damage. Keep option card in ESD protective bag during transportation and storage.

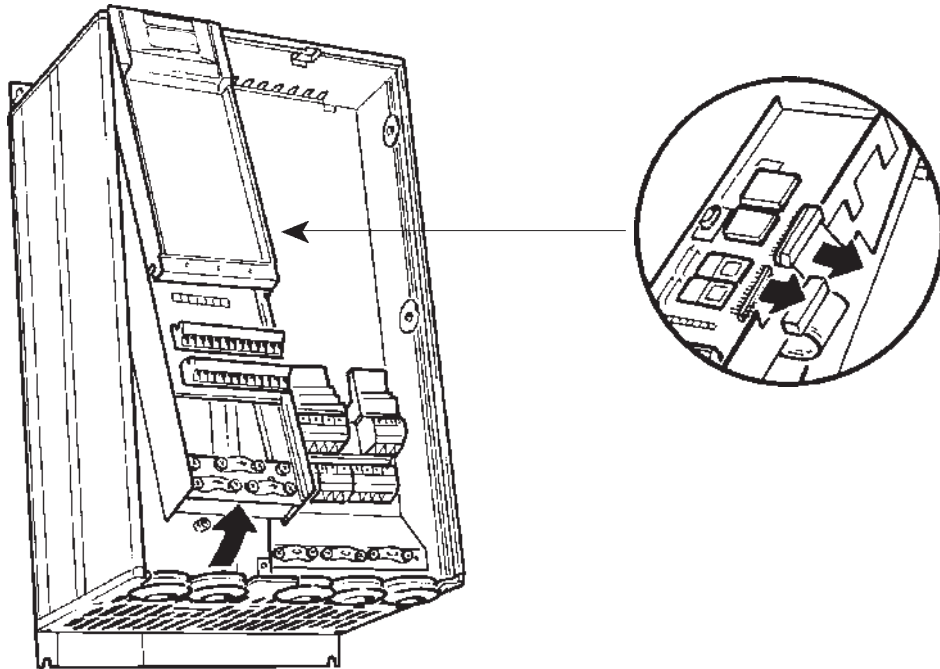
1.



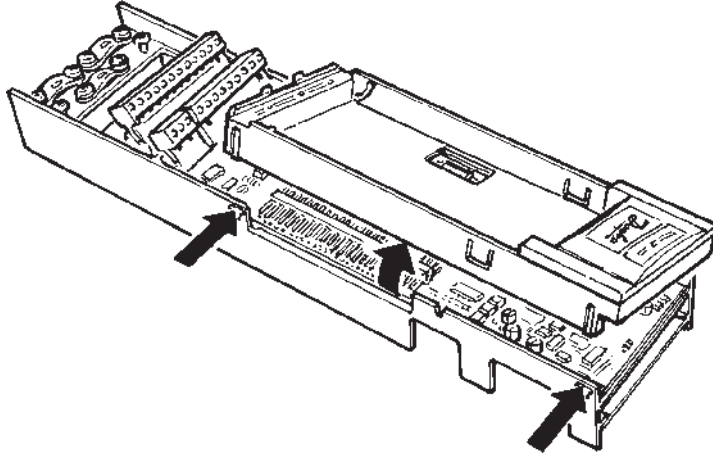
2.



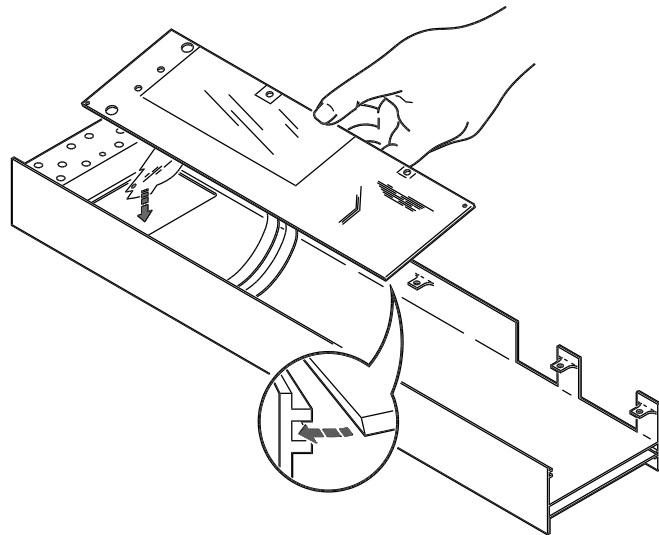
3.



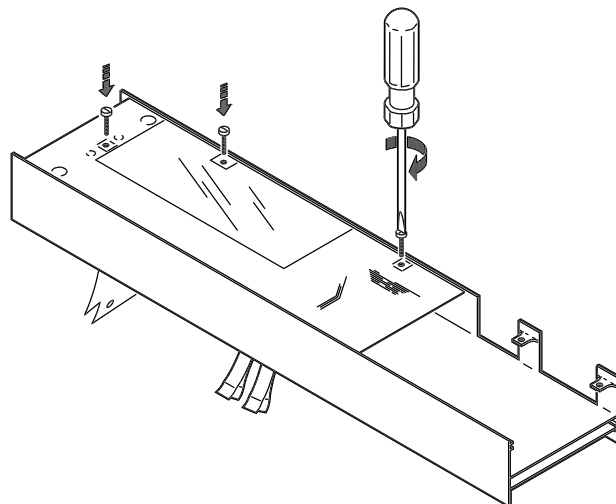
4.



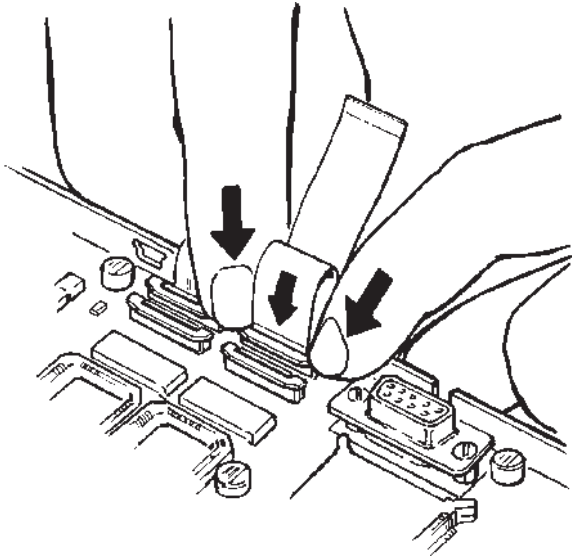
5.



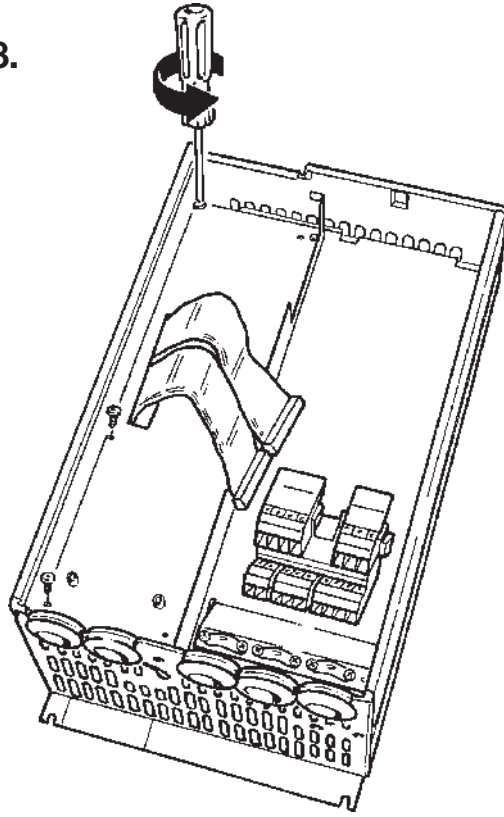
6.



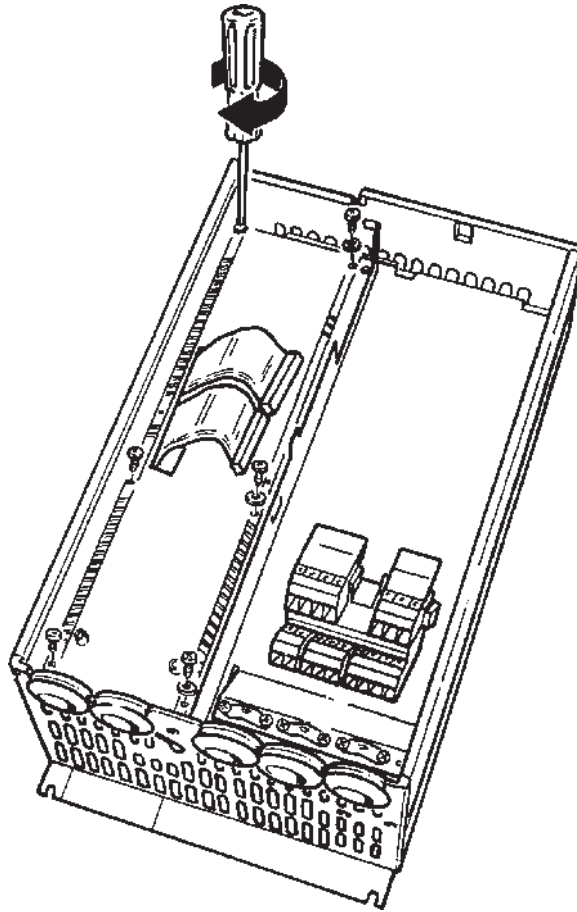
7.



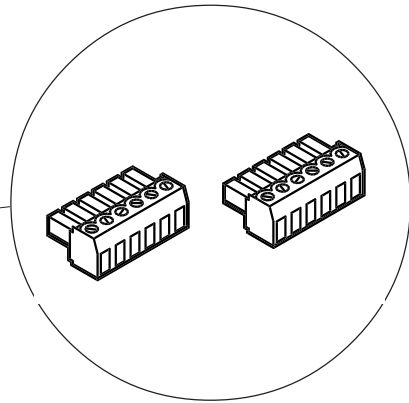
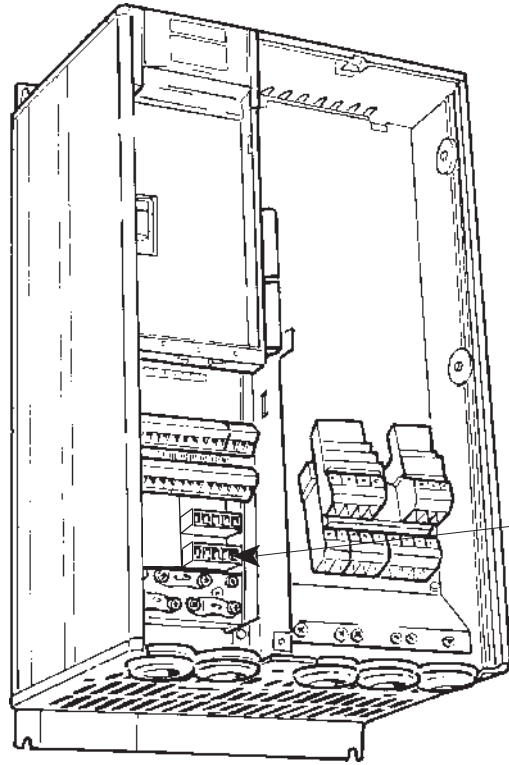
8.



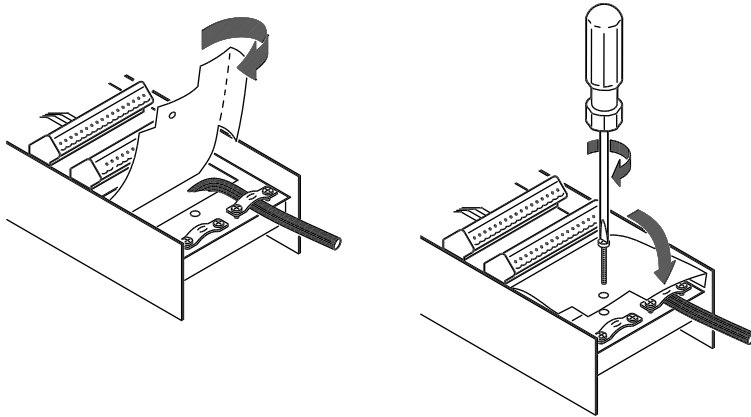
9.



10.



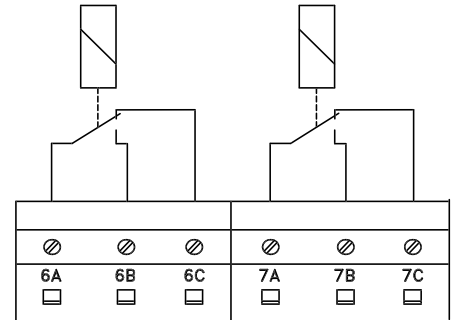
11



12

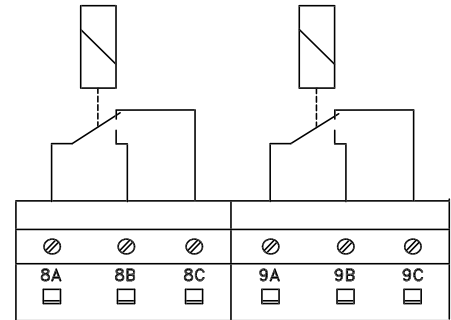
Relay 06

Relay 07



Relay 08

Relay 09



NEMA 1

TR1 6006-6062, (5-60 hp) 200/240 V
TR1 6016-6122, (15-125 hp) 380/460 V
TR1 6016-6075, (15-75 hp) 550/600 V

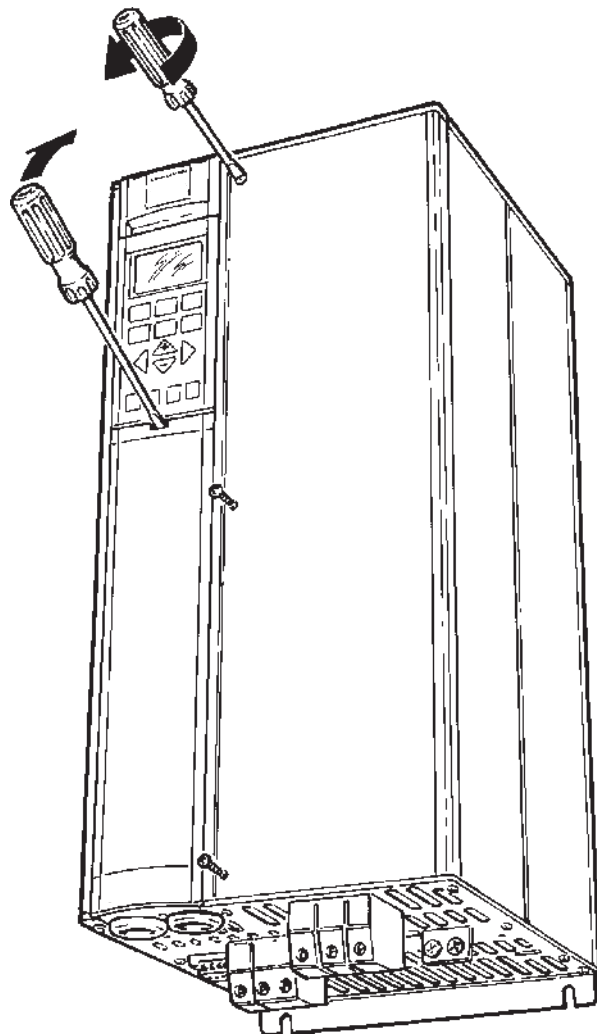


⚠WARNING

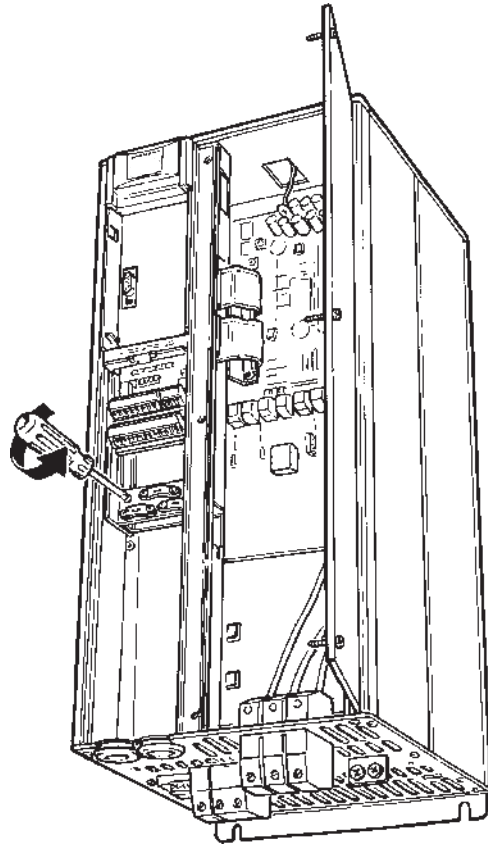
Electronic components within the TR1 Series VFD are susceptible to Electrostatic Discharge (ESD).

ESD can reduce performance or destroy sensitive electronic components. Follow proper ESD procedures during installation and servicing to prevent damage. Keep option card in ESD protective bag during transportation and storage.

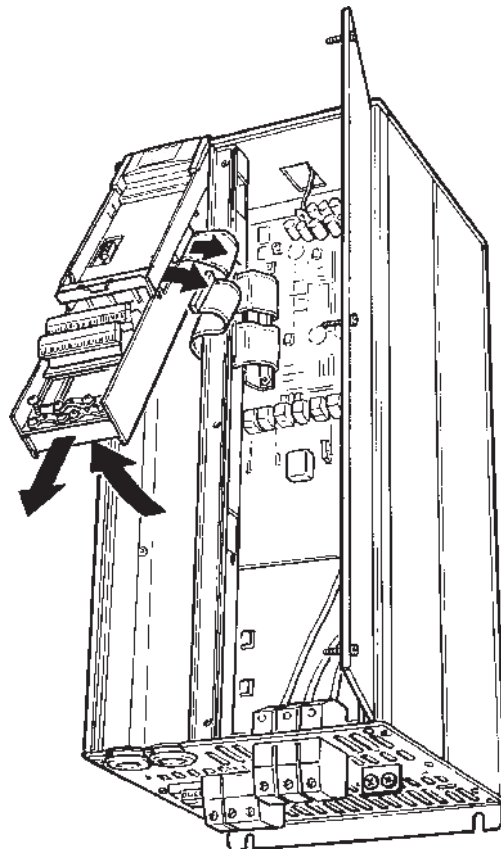
1.



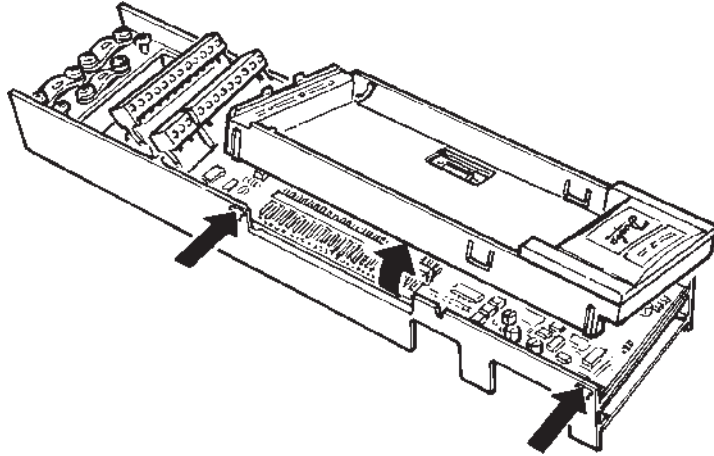
2.



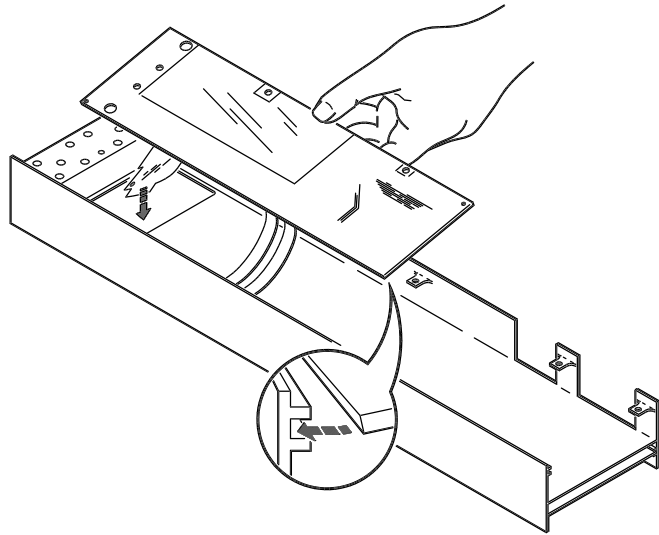
3.



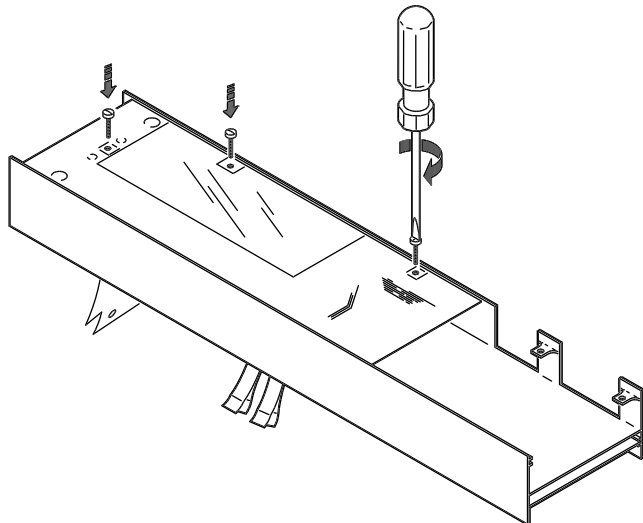
4.



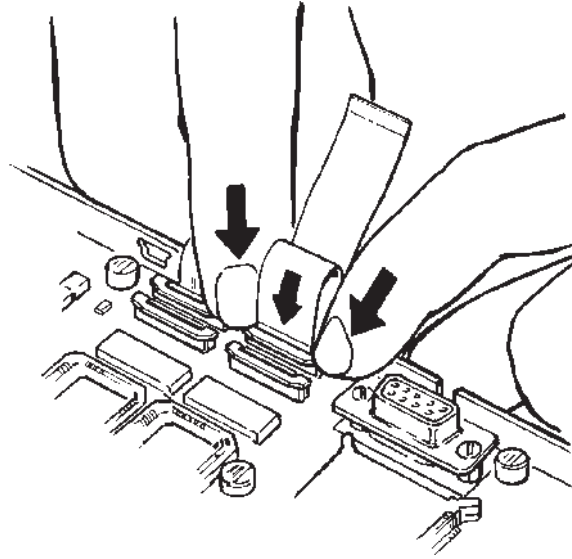
5.



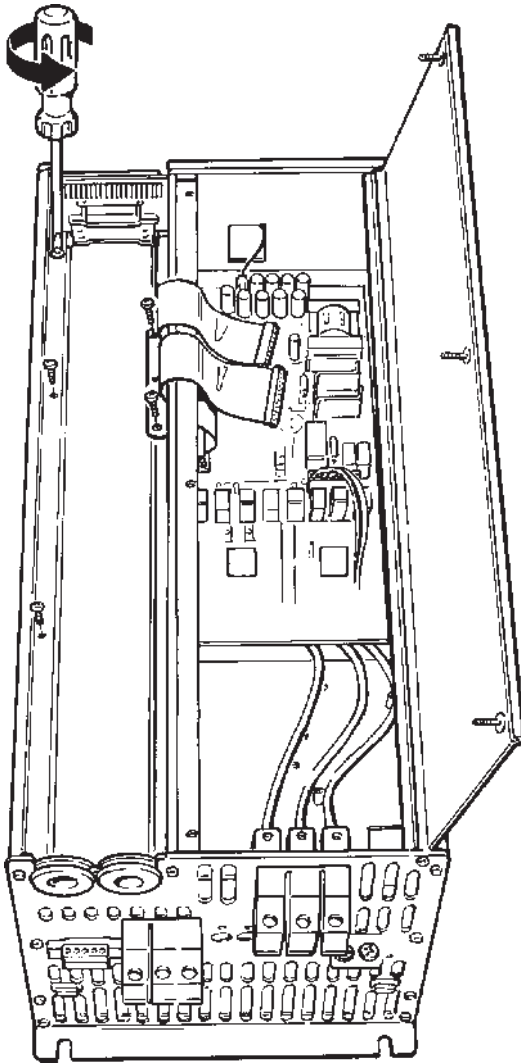
6.



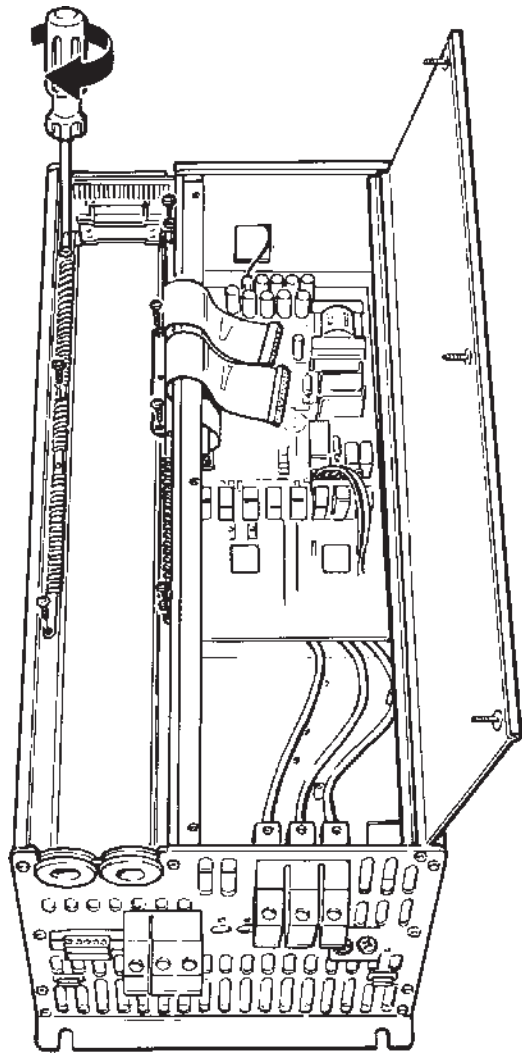
7.



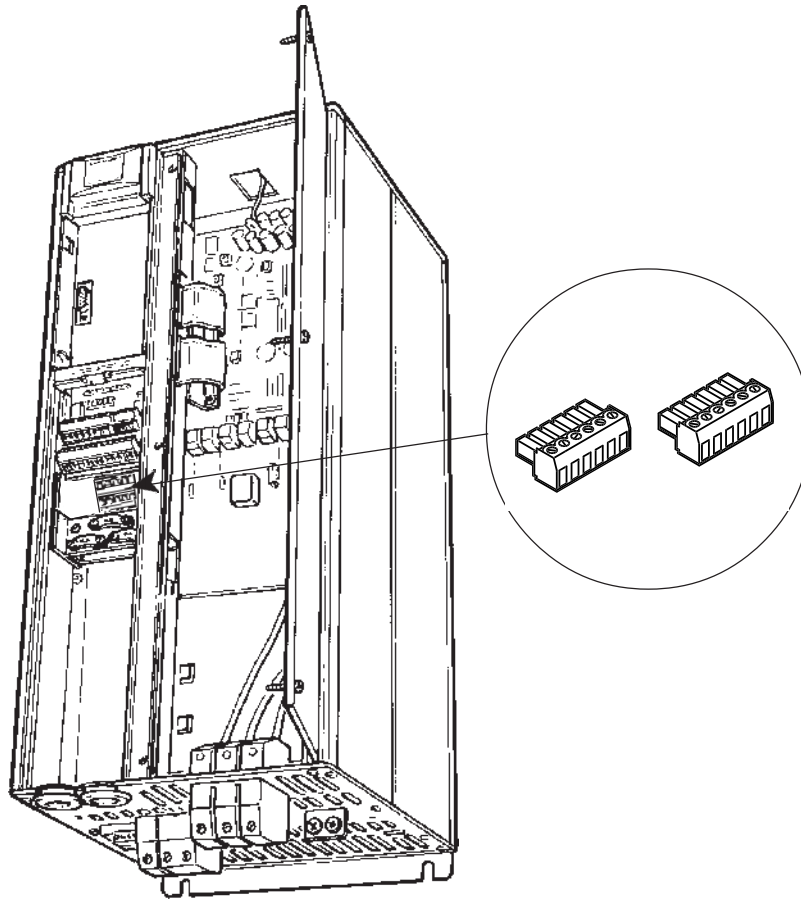
8.



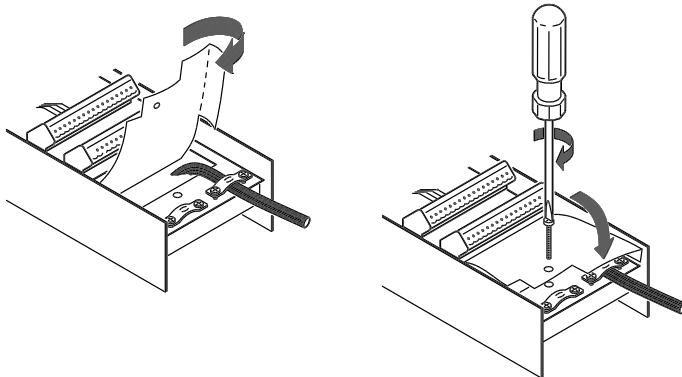
9.



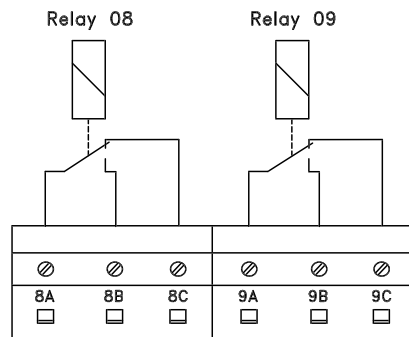
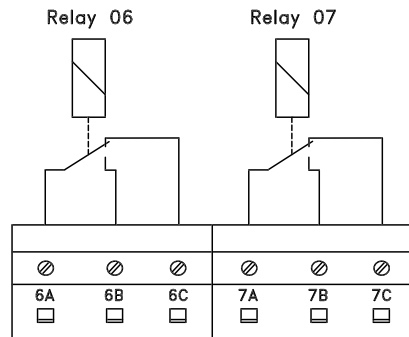
10.



11.



12.



NEMA 12

TR1 6002-6004, (1-3 hp) 200/240 V
TR1 6002-6011, (1-10 hp) 380/460 V
TR1 6002-6011, (1-10 hp) 550/600 V

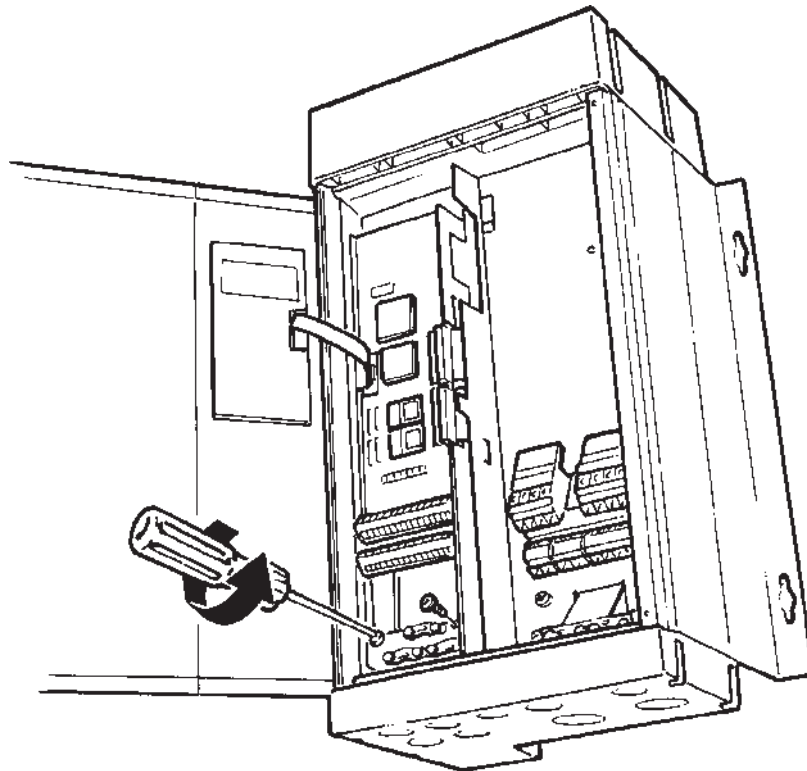


⚠ WARNING

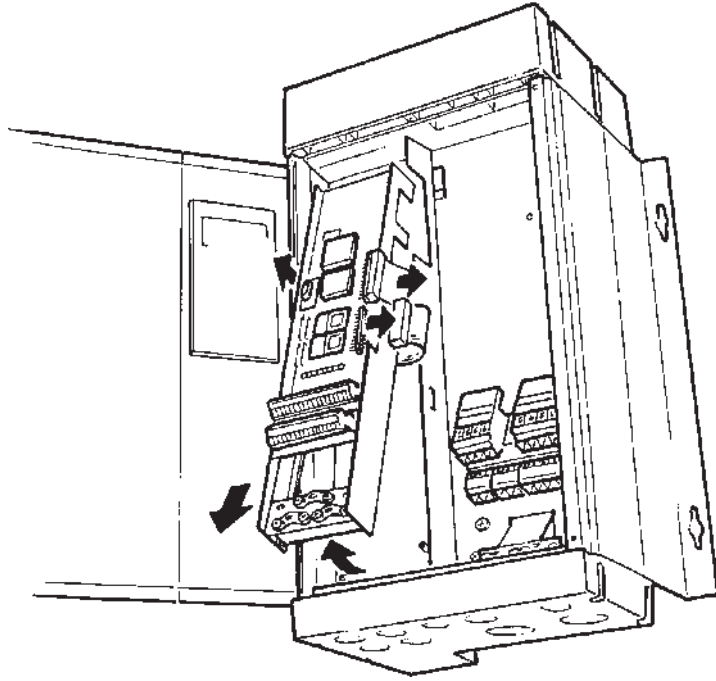
Electronic components within the TR1 Series VFD are susceptible to Electrostatic Discharge (ESD).

ESD can reduce performance or destroy sensitive electronic components. Follow proper ESD procedures during installation and servicing to prevent damage. Keep option card in ESD protective bag during transportation and storage.

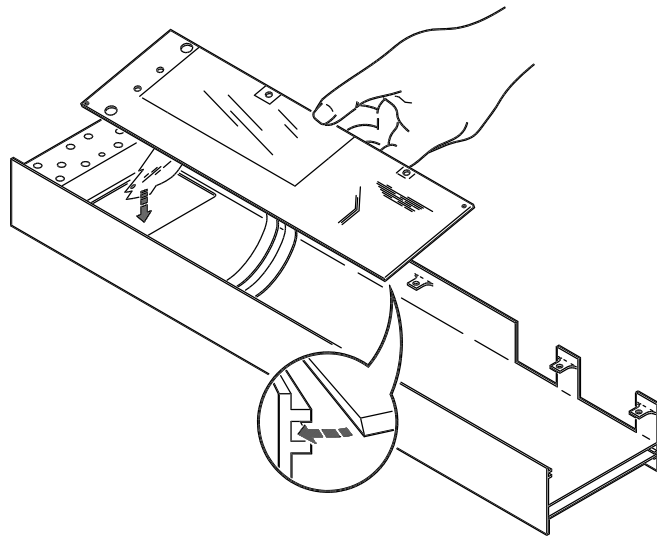
1.



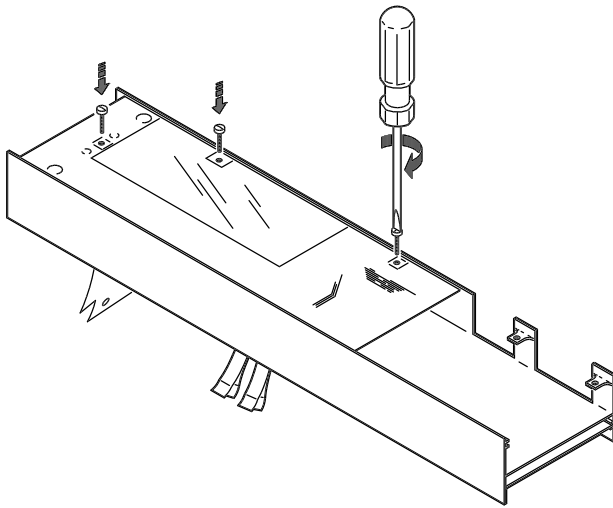
2.



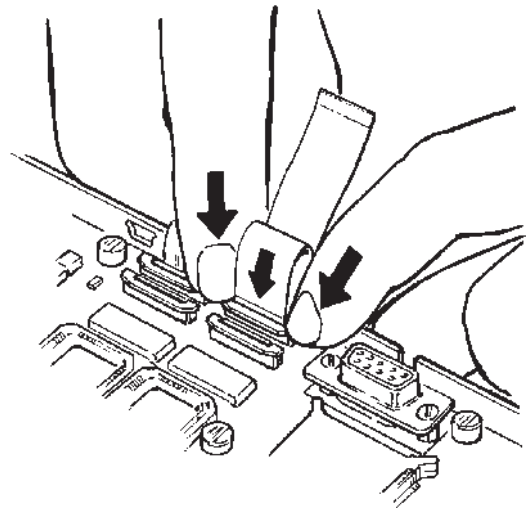
3.



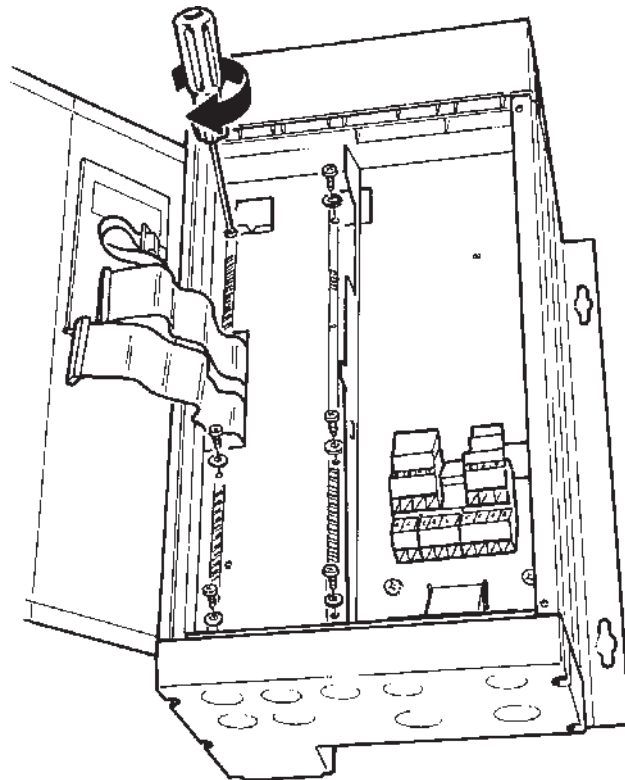
4.



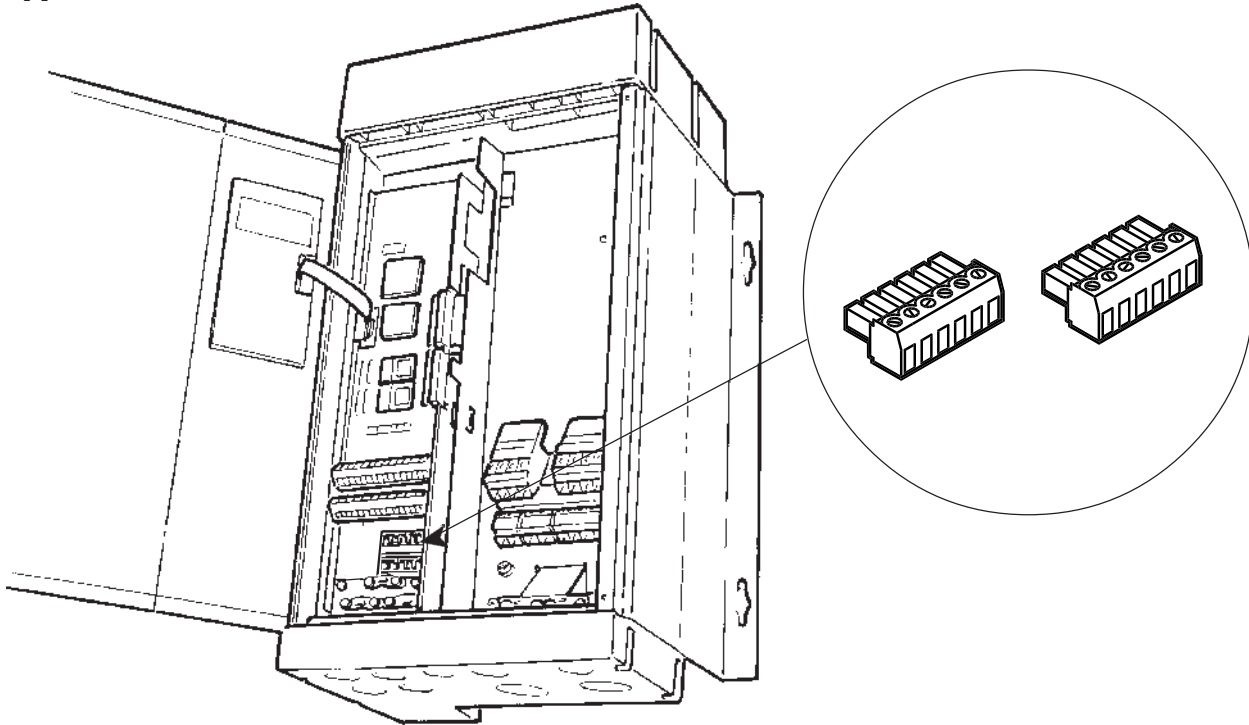
5.



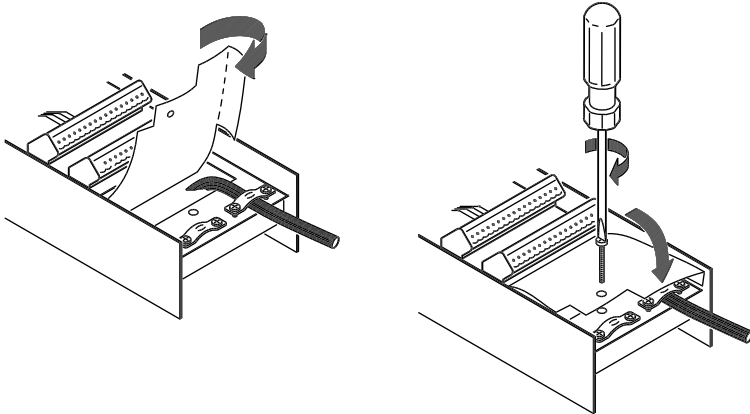
6.



7.



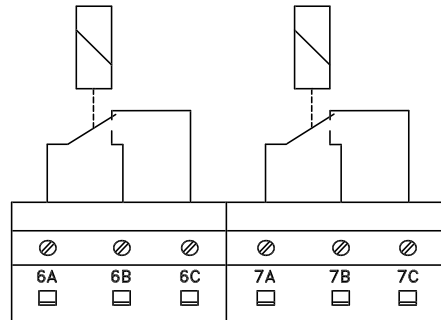
8.



9.

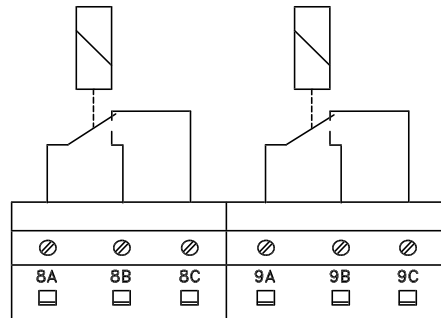
Relay 06

Relay 07



Relay 08

Relay 09



NEMA 12

TR1 6006-6062, (5-60 hp) 200/240 V
TR1 6016-6122, (15-125 hp) 380/460 V
TR1 6016-6075, (15-75 hp) 550/600 V

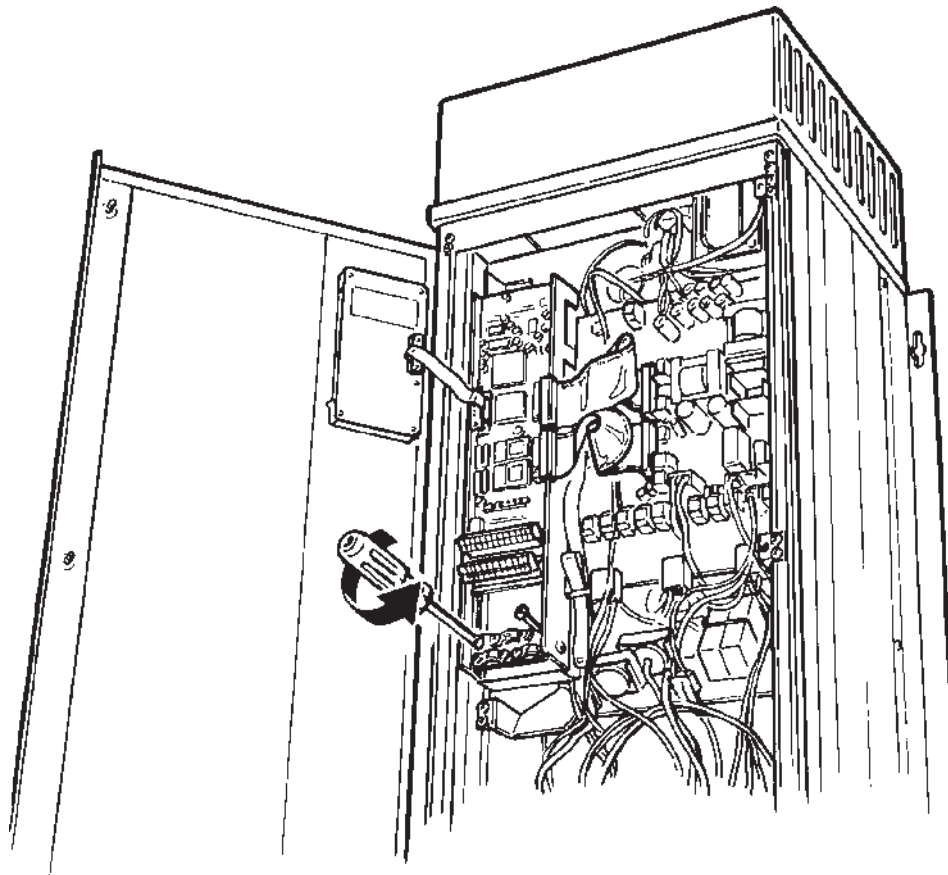


⚠ WARNING

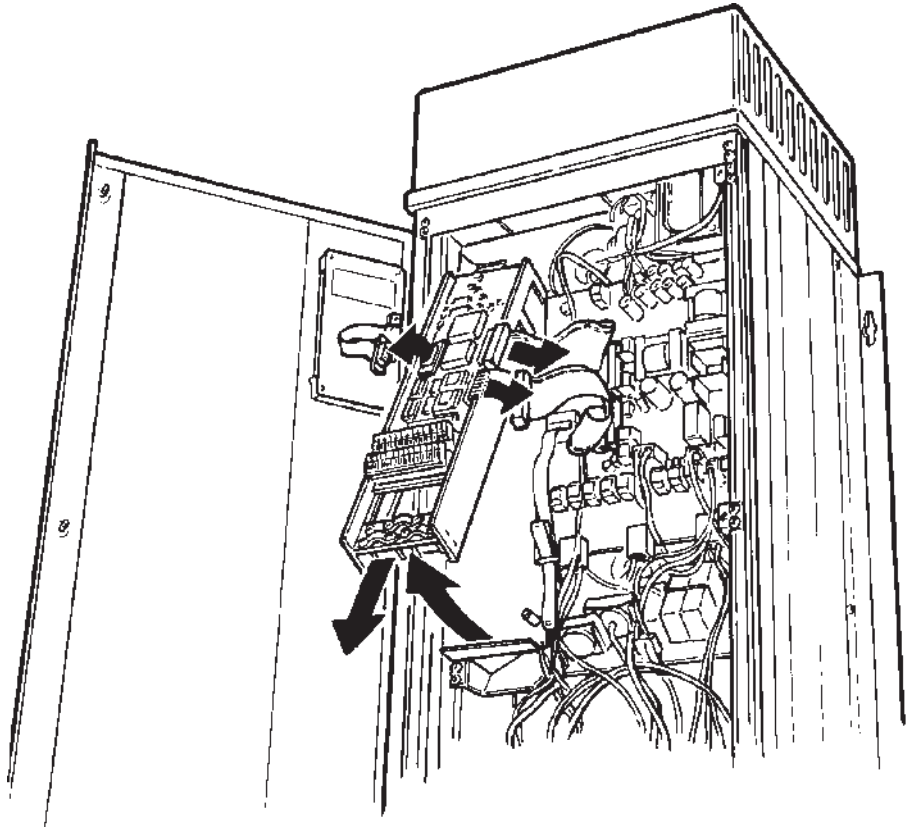
Electronic components within the TR1 Series VFD are susceptible to Electrostatic Discharge (ESD).

ESD can reduce performance or destroy sensitive electronic components. Follow proper ESD procedures during installation and servicing to prevent damage. Keep option card in ESD protective bag during transportation and storage.

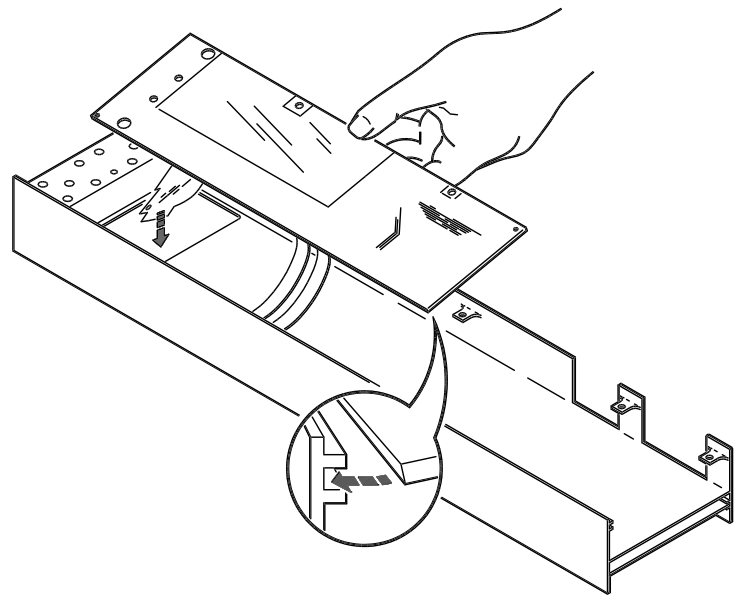
1.



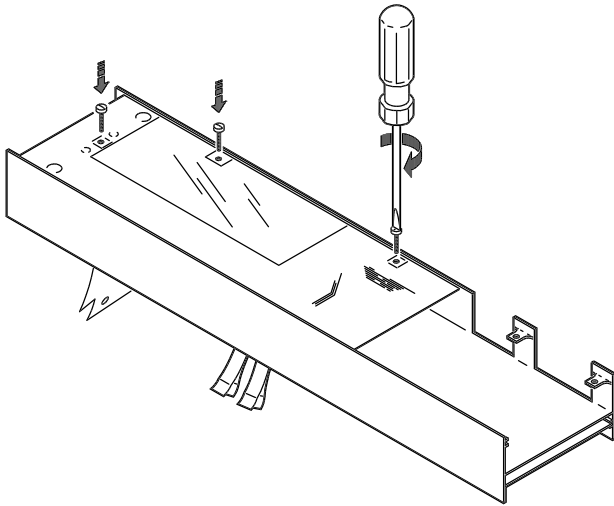
2.



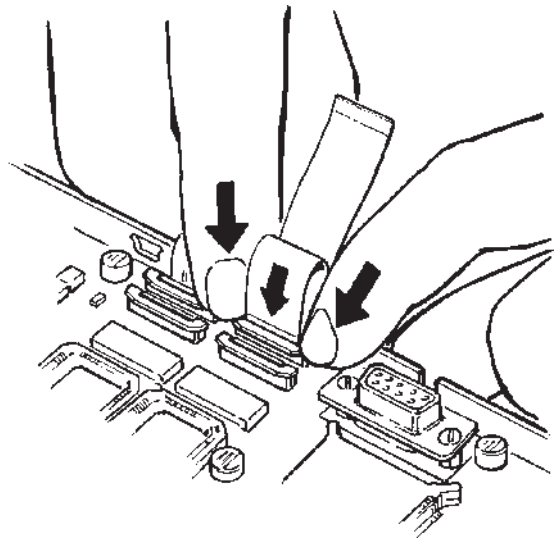
3.



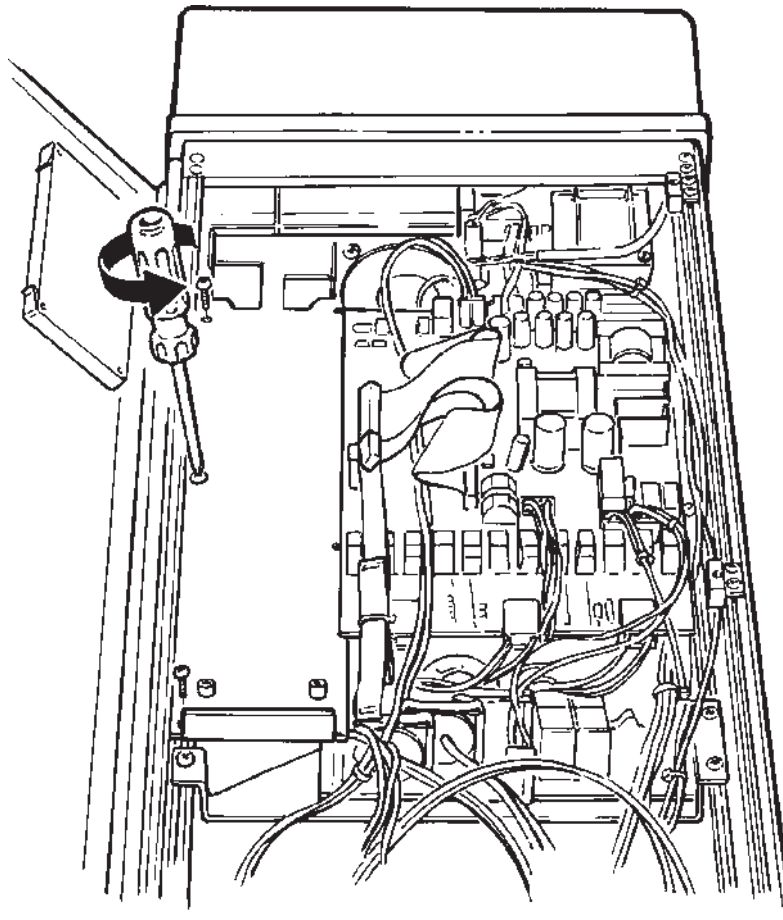
4.



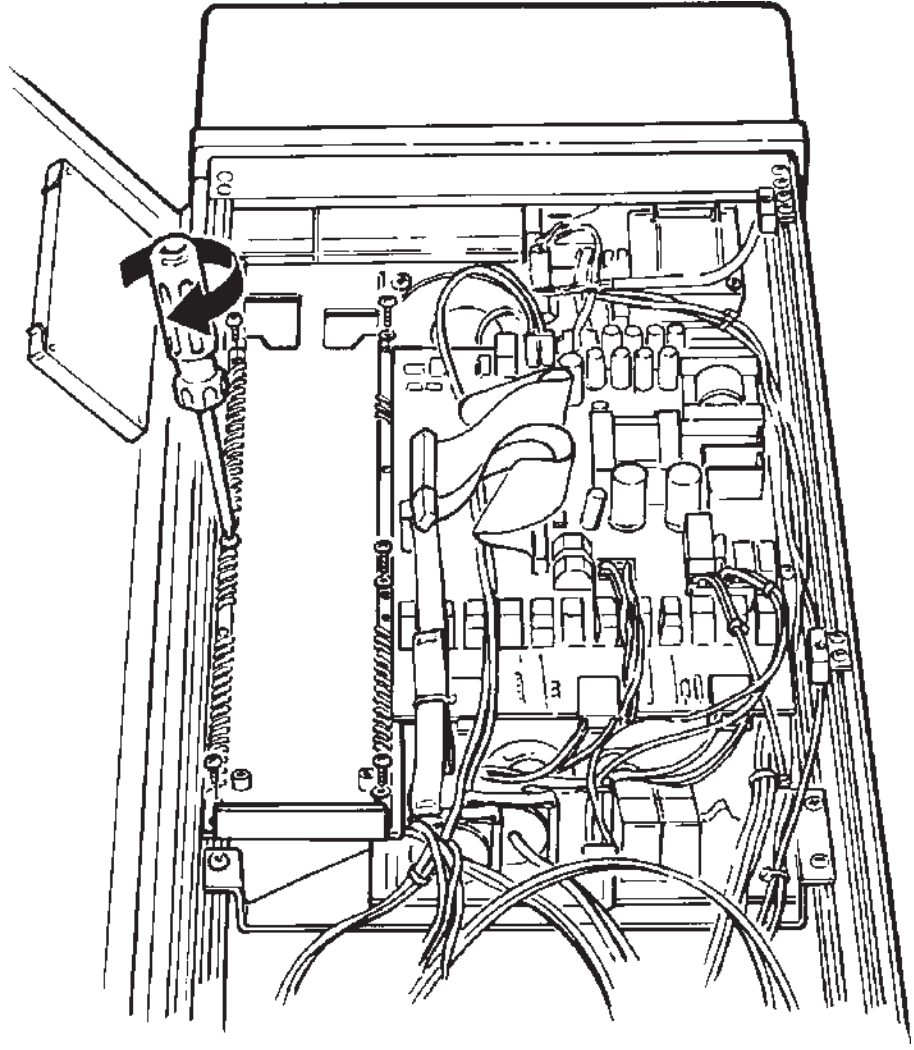
5.



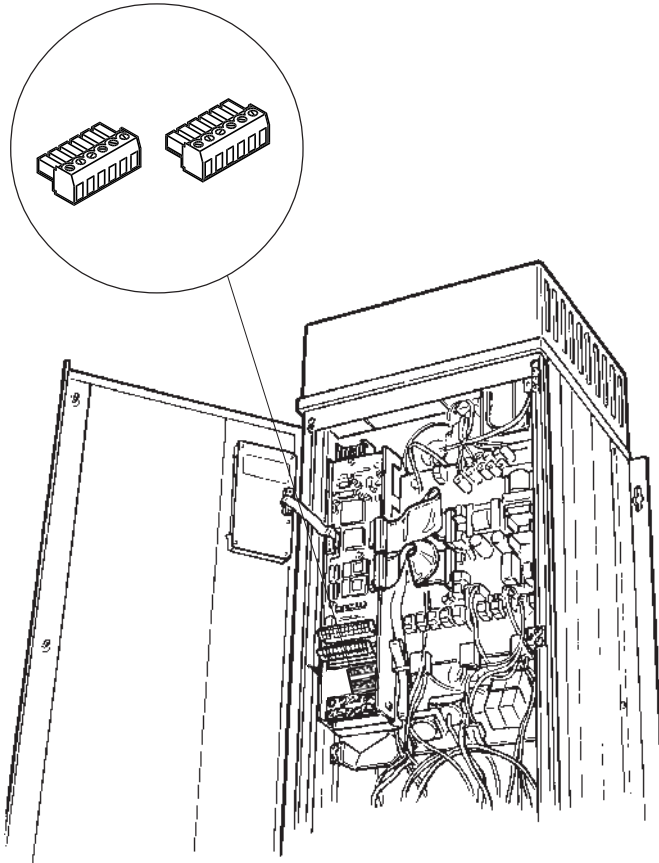
6.



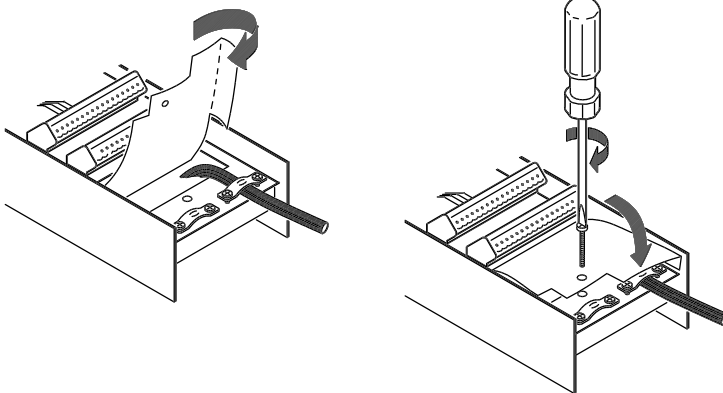
7.



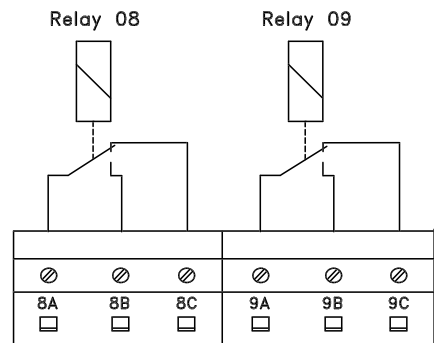
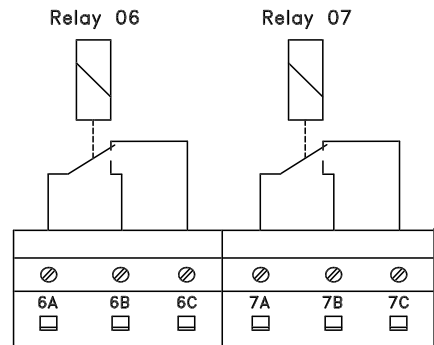
8.



9.



10.



NEMA 1 and NEMA 12

TR1 6150-6550, (150-600 hp) 380/460 V

TR1 6125-6275, (125-300 hp) 550/600 V



⚠WARNING

Electronic components within the TR1 Series VFD are susceptible to Electrostatic Discharge (ESD).

ESD can reduce performance or destroy sensitive electronic components. Follow proper ESD procedures during installation and servicing to prevent damage. Keep option card in ESD protective bag during transportation and storage.

NOTE

For installation instructions, refer to the drawings beginning on page 17 of this manual. The 4-relay option card installs in 380/460 V drives 150 hp and above, and 550/600 V drives 125 hp and above, as shown except that installation of the grounding strips is not required. Omit steps 6 and 7 as shown in those instructions.



TRANE®

Trane

A business of American Standard Companies
www.trane.com

For more information contact your local Trane office or e-mail us at comfort@trane.com

Literature Order Number	TR1-SVN01-EN
-------------------------	--------------

File Number	SV-VEN-TR1-SVN001-EN-1003
-------------	---------------------------

Supersedes	New
------------	-----

Stocking Location	Commercial Communications, Inc.
-------------------	---------------------------------

Trane has a policy of continuous product and product data improvement and reserves the right to change design and specifications without notice.