



Installation Guide

Pedestal Kit for F-size Enclosures

TR200 Series

SAFETY WARNING

Only qualified personnel should install and service the equipment. The installation, starting up, and servicing of heating, ventilating, and air-conditioning equipment can be hazardous and requires specific knowledge and training. Improperly installed, adjusted or altered equipment by an unqualified person could result in death or serious injury. When working on the equipment, observe all precautions in the literature and on the tags, stickers, and labels that are attached to the equipment.

Introduction

The pedestal is used to allow airflow into the F-size enclosure to provide proper cooling. These instructions detail the mounting of an F-size enclosure onto a pedestal.

More installation information, such as ambient conditions, cooling requirements, and dimensions can be found in the operating instructions, design guide, and installation drawings.

Safety Instructions

Discharge Time

⚠WARNING

Hazardous Voltage w/Capacitors!

Failure to disconnect power and discharge capacitors before servicing could result in death or serious injury.

Disconnect all electric power, including remote disconnects and discharge all motor start/ run capacitors before servicing.

Follow proper lockout/tagout procedures to ensure the power cannot be inadvertently energized. For variable frequency drives or other energy storing components provided by Trane or others, refer to the appropriate manufacturer's literature for allowable waiting periods for discharge of capacitors. Verify with an appropriate voltmeter that all capacitors have discharged.

For additional information regarding the safe discharge of capacitors, see PROD-SVB06AEN.

The frequency converter contains DC-link capacitors, which can remain charged even when the frequency converter is not powered. High voltage can be present even when the warning indicator lights are off. Failure to wait for a minimum of 40 minutes after power has been removed before performing service or repair work can result in death or serious injury.

1. Stop the motor.
2. Disconnect AC mains and remote DC-link supplies, including battery back-ups, UPS, and DC-link connections to other frequency converters.
3. Disconnect or lock PM motor.
4. Wait 40 minutes for the capacitors to discharge.
5. Before performing any service or repair work, use an appropriate voltage measuring device to make sure that the capacitors are fully discharged.

Positioning the Pedestal

1. Place the pedestal in the desired location, paying attention to the following:
 - Ambient conditions
 - Cooling requirements
 - Unit dimensions and door clearances
2. Pull the mains and motor cables up through the pedestal.
3. Bolt the pedestal to the floor.

Creating an Entry for Cables

Cables are connected from the bottom of the pedestal, through a metal gland plate, and into the cabinet. The gland plates must be fitted to the unit to ensure the specified degree of protection.

1. Open the mains cabinet and remove the nuts from the mains gland plate.
2. Remove the mains gland plate.
3. Open the motor cabinet and remove the nuts from the motor gland plate.
4. Remove the motor gland plate.
5. Use a sheet metal punch to create entry holes in the mains and motor plates. Refer to the gland plate dimensions in the operating instructions.

Attaching the Unit to the Pedestal

⚠ WARNING

Heavy Object!

Failure to follow instructions below could result in unit dropping which could result in death or serious injury, and equipment or property-only damage.

Ensure that all the lifting equipment used is properly rated for the weight of the unit being lifted. Each of the cables (chains or slings), hooks, and shackles used to lift the unit must be capable of supporting the entire weight of the unit. Lifting cables (chains or slings) may not be of the same length. Adjust as necessary for even unit lift.

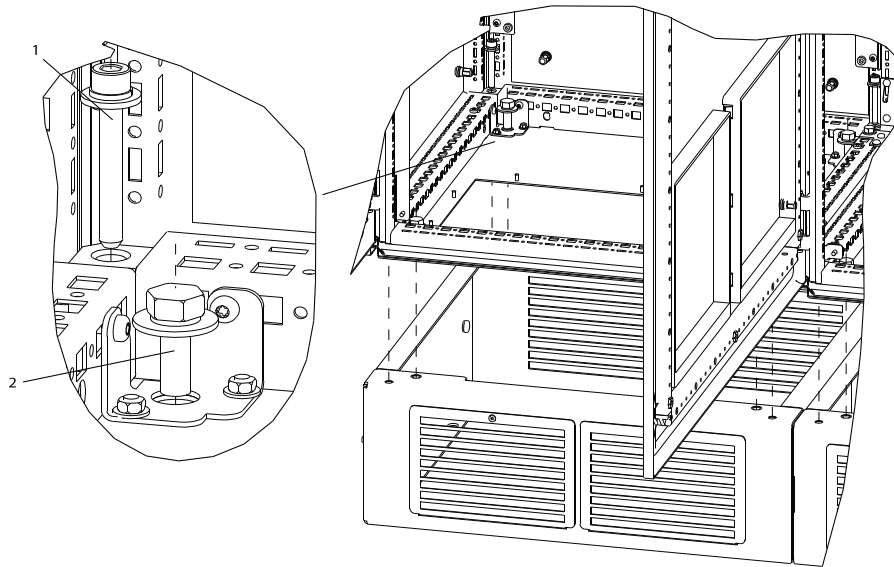
NOTICE

Equipment Damage!

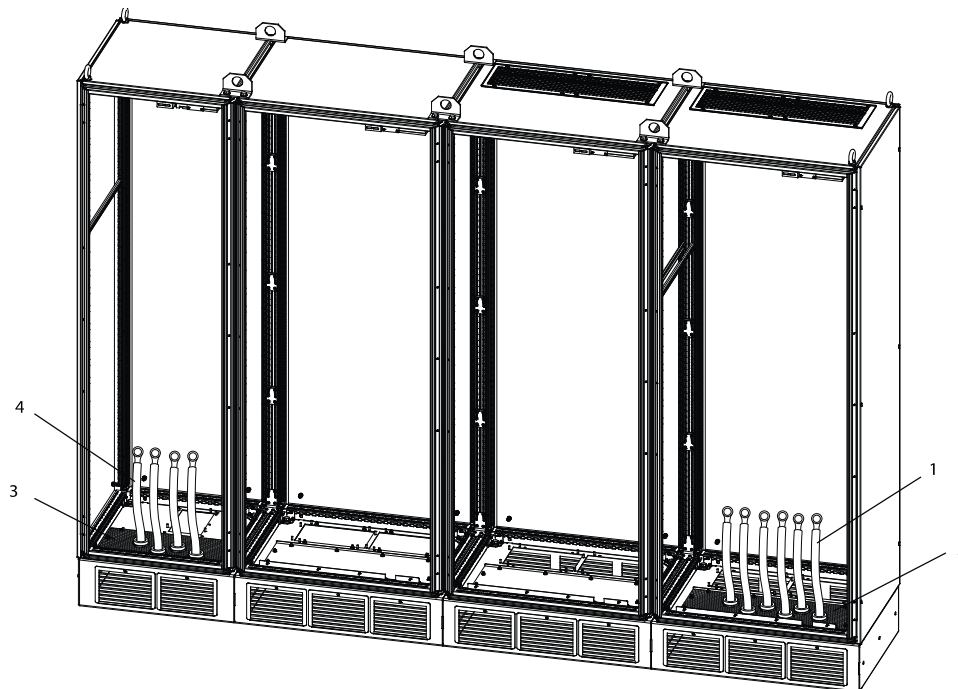
Failure to follow instructions below could result in equipment damage.

Do not carry or lift the unit by the discharge plate. Use only the hangar brackets located at each corner to carry or lift the unit.

1. Lift the frequency converter and position it on the pedestal.
2. Verify that there is 225 mm (9 in) top clearance for air exhaust.
3. Verify that the air intake at the bottom front of the unit is not obstructed.
4. Install an M8x60 mm bolt with lock washer and flat washer through the frame and into the threaded hole at each corner of the base. To ensure correct IP21/IP54 enclosure protection, the M8x60 bolts must go through the frame. Install 4 bolts per cabinet. Torque to 9.6 Nm (85 in-lb). See *Illustration 1.1*.
5. Install an M10x30 mm bolt with captive lock washer and flat washer through each corner of the base plate and into the threaded hole in the base. Install 4 bolts per cabinet. Torque to 19 Nm (169 in-lb). See *Illustration 1.1*.
6. Reattach the mains and motor gland plates as shown in *Illustration 1.2*.

Figure 1. Location of Corner Fasteners for a Pedestal Installation

Illustration 1.1 Location of Corner Fasteners for a Pedestal Installation

1. M8x60 mm bolt with lock washer and flat washer
2. M10x30 mm bolt with captive lock washer and flat washer

Figure 2. Attaching the Gland Plates

Illustration 1.2 Attaching the Gland Plates

1. Motor cables
2. Motor gland plate
3. Mains gland plate
4. Mains cables



Trane - by Trane Technologies (NYSE: TT), a global climate innovator - creates comfortable, energy efficient indoor environments for commercial and residential applications. For more information, please visit trane.com or tranetechnologies.com.

Trane has a policy of continuous product and product data improvement and reserves the right to change design and specifications without notice. We are committed to using environmentally conscious print practices.