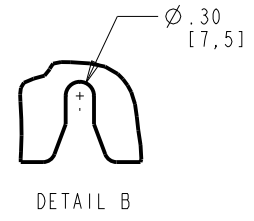
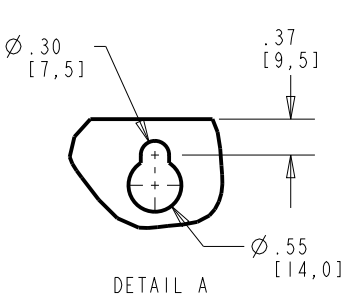
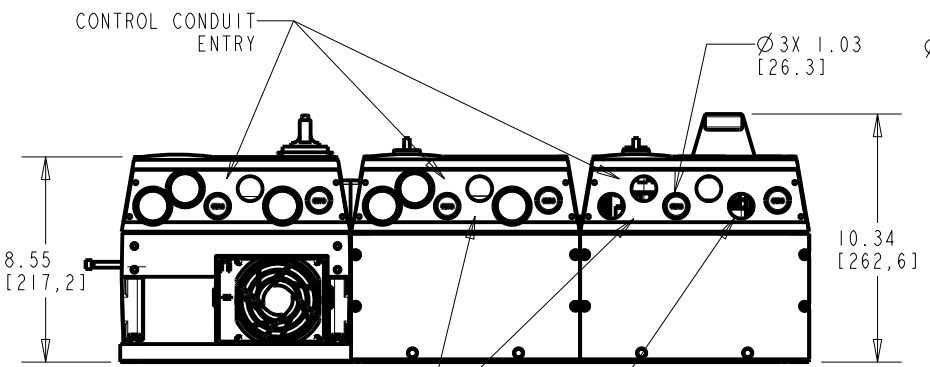
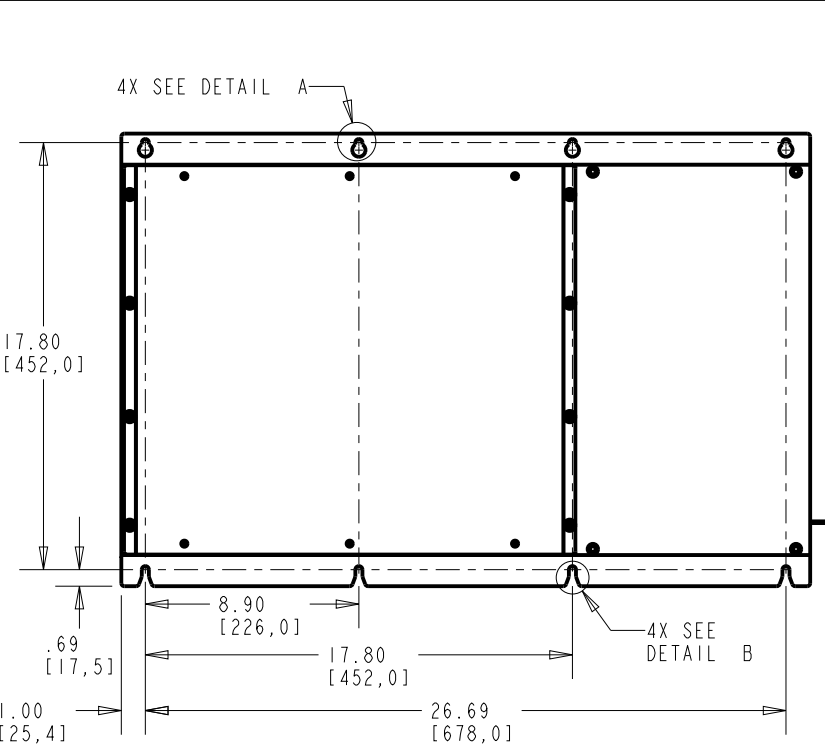
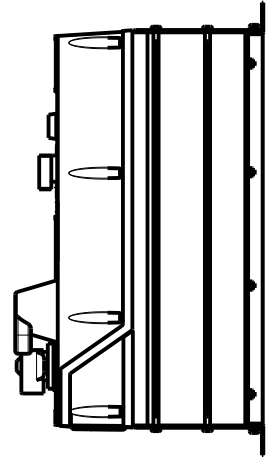
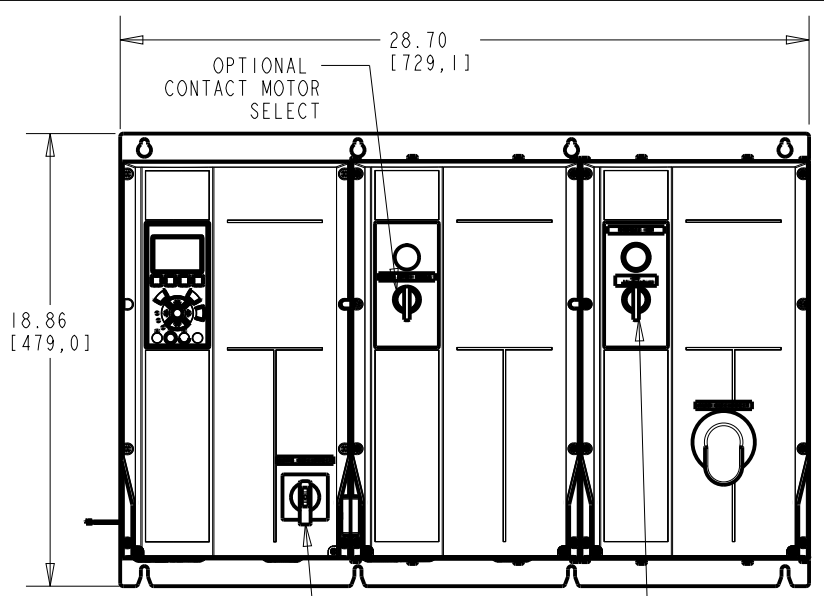


4

3

2

1



- 1) 3X PLACE CONDUITS IN PRE-EXISTING CONDUIT HOLES. IF NOT USED, PLUG WITH NEMA TYPE 12 HOLE PLUGS.
- 2) FOR NEMA TYPE 12 UNITS USE NEMA TYPE 12 CONDUITS AND HUBS

CLEARANCE REQUIREMENT FOR AIR FLOW COOLING:  
 THE UNIT MUST BE INSTALLED VERTICALLY WITH THE MINIMUM CLEARANCE OF 3.94in [100.00mm] ON THE TOP AND BOTTOM. ALL UL NEMA TYPE 1/1P21 AND NEMA TYPE 12/1P54 UNITS MAY BE MOUNTED SIDE BY SIDE WITH NO MINIMUM SIDE CLEARANCE.

WEIGHT: 36 kg [80 lbs]

FRAME SIZE A5		
VOLTAGE	HP	KW
208/230	0.5-5	0.75-3.7
460/600	0.5-10	0.75-7.5

-NOTICE-  
 THIS DRAWING IS PROPRIETARY AND SHALL NOT BE COPIED OR ITS CONTENTS DISCLOSED TO OUTSIDE PARTIES WITHOUT THE WRITTEN CONSENT OF THE TRANE COMPANY

PRO-E ENTRY BY/DATE:  
 MN 10/17/08  
 DESIGNED BY/DATE:  
 MN 10/17/08  
 APPROVAL:

**THE TRANE COMPANY**

TITLE:  
 DWG, REF, SUBMITTAL, A5-TIER 3

LATEST E.C.N. NO.:	E.C.N. PRO-E ENTRY BY/DATE:	PLOT SCALE:	PRO-E FILE:	SHEET:	OF:	DRAWING NO.:	REV.:
SPI0100	SAK 09/01/10	NONE		1	1	174N3455	A

4

3

2

1