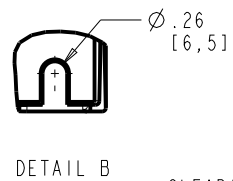
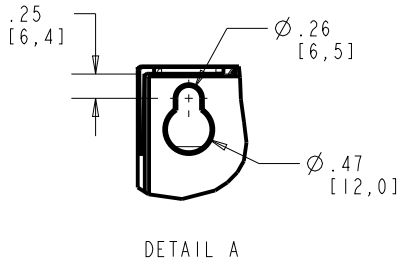
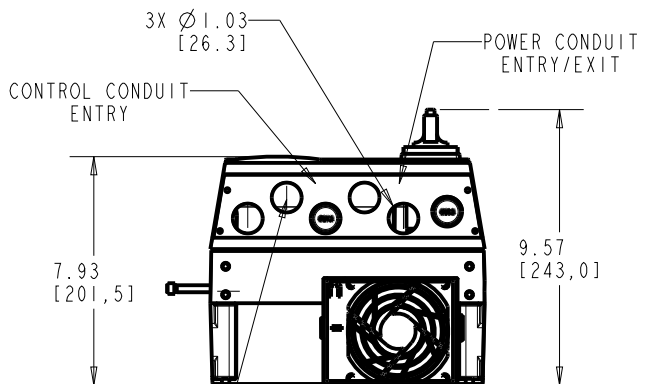
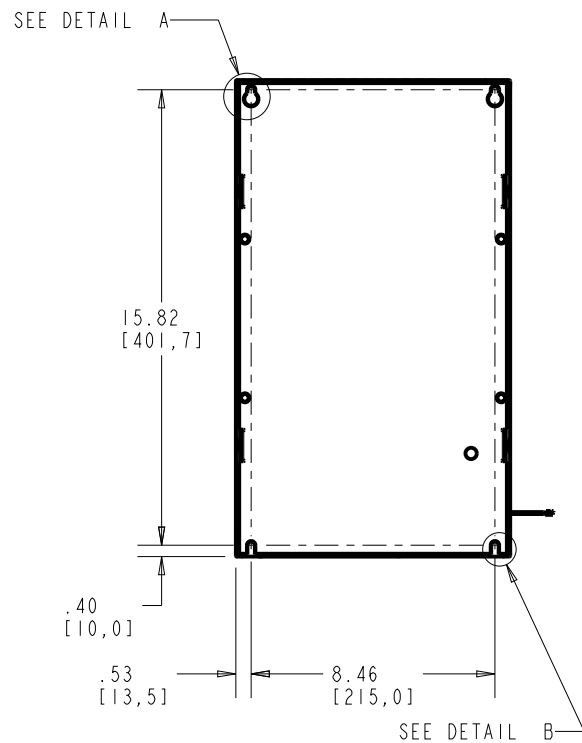
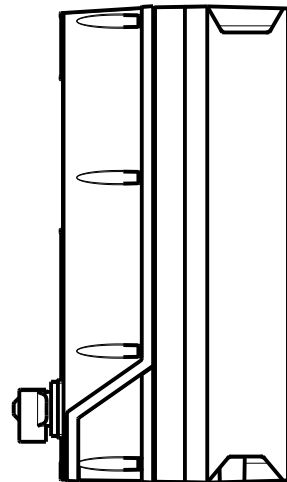
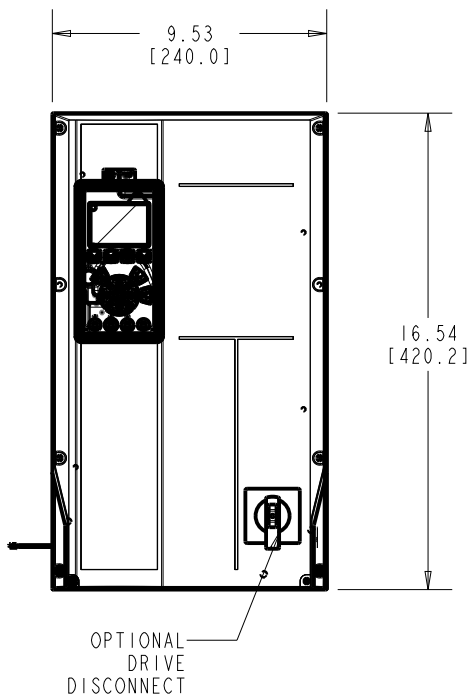


4

3

2

1



CLEARANCE REQUIREMENT FOR AIR FLOW COOLING:
 THE UNIT MUST BE INSTALLED VERTICALLY WITH THE MINIMUM CLEARANCE OF 3.94in [100.0mm] ON THE TOP AND BOTTOM. UL NEMA TYPE 12/IP54 UNITS MAY BE MOUNTED SIDE BY SIDE WITH NO MINIMUM SIDE CLEARANCE.

WEIGHT: 35 lbs [16 kg]

FRAME SIZE A5		
VOLTAGE	HP	KW
208/230	0.5-5	0.75-3.7
460/600	0.5-10	0.75-7.5

1) 3X PLACE CONDUITS IN PRE-EXISTING CONDUIT HOLES. IF NOT USED, PLUG HOLES WITH NEMA TYPE 12 HOLE PLUGS.
 2) FOR NEMA TYPE 12 UNITS USE NEMA TYPE 12 CONDUITS AND HUBS

-NOTICE-
 THIS DRAWING IS PROPRIETARY AND SHALL NOT BE COPIED OR ITS CONTENTS DISCLOSED TO OUTSIDE PARTIES WITHOUT THE WRITTEN CONSENT OF THE TRANE COMPANY

PRO-E ENTRY BY/DATE: MN 10/17/08
 CHECKED BY/DATE:
 DESIGNED BY/DATE: MN 10/17/08
 MFG. APPROVAL BY/DATE:
 APPROVAL: ENG. APPROVAL BY/DATE:

THE TRANE COMPANY
 TITLE: DWG, REF, SUBMITTAL, A5-TIER 1

LATEST E.C.N. NO.: SPI0100 E.C.N. PRO-E ENTRY BY/DATE: SAK 09/01/10 PLOT SCALE: NONE PRO-E FILE: SHEET: OF: DRAWING NO.: 174N3457 REV.: A

4

3

2

1