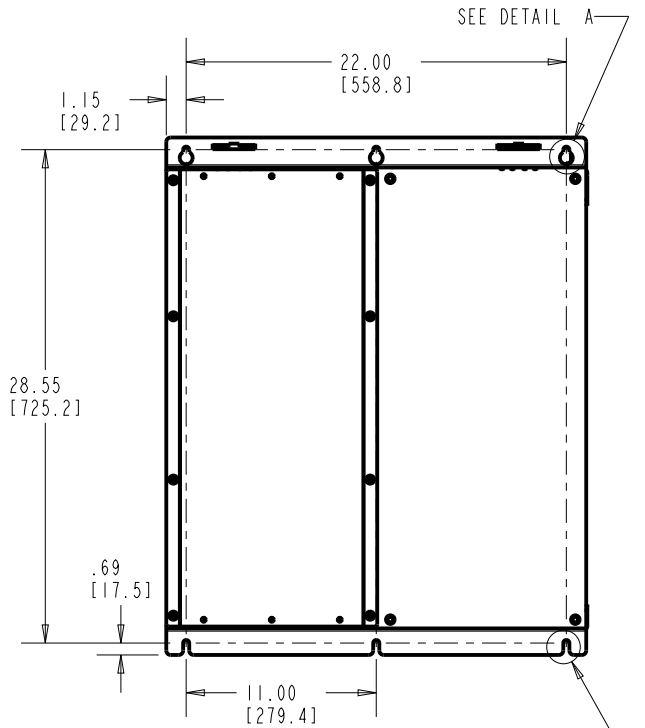
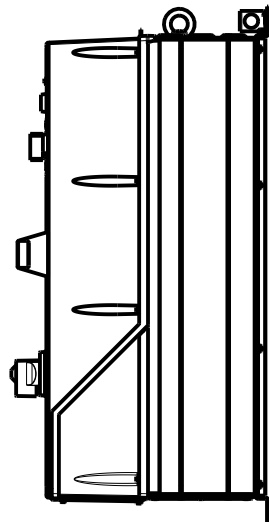
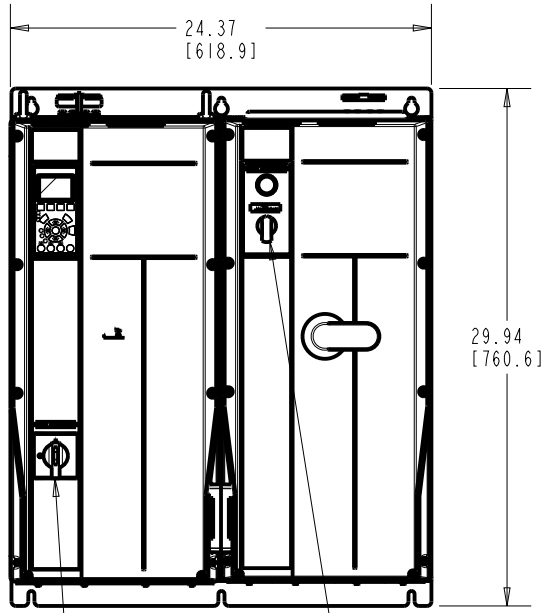


4

3

2

1

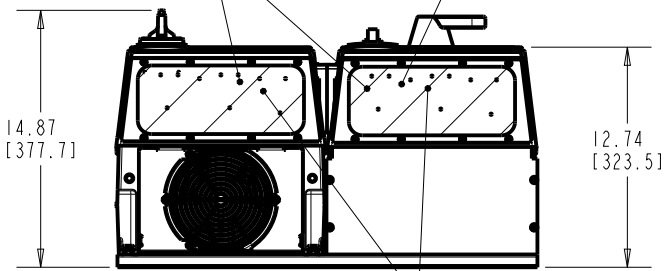


OPTIONAL DRIVE DISCONNECT

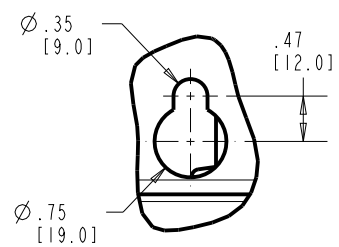
OPTIONAL EM CONTROL

CONTROL CONDUIT ENTRY

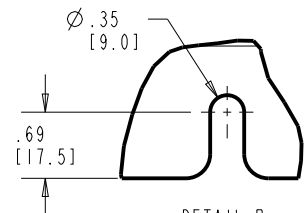
POWER CONDUIT ENTRY/EXIT



FOR NEMA TYPE 12 UNIT USE NEMA TYPE 12 CONDUIT AND HUBS.



DETAIL A



DETAIL B

SEE DETAIL B

FRAME SIZE C1		
VOLTAGE	HP	KW
208/230	25-30	18.5-22
460/600	50-75	37-55

CLEARANCE REQUIREMENT FOR AIR FLOW COOLING:

THE UNIT MUST BE INSTALLED VERTICALLY WITH THE MINIMUM CLEARANCE OF 7.88in [200.0mm] ON THE TOP AND BOTTOM. UL NEMA TYPE 1/1P21 AND NEMA TYPE 12/1P54 UNITS MAY BE MOUNTED SIDE BY SIDE WITH NO MINIMUM SIDE CLEARANCE.

WEIGHT: 145 lbs [66 kg]

-NOTICE-
THIS DRAWING IS PROPRIETARY AND SHALL NOT BE COPIED OR ITS CONTENTS DISCLOSED TO OUTSIDE PARTIES WITHOUT THE WRITTEN CONSENT OF THE TRANE COMPANY

PRO-E ENTRY BY/DATE:
MN 10/20/08

CHECKED BY/DATE:

DESIGNED BY/DATE:
MN 10/20/08

MFG. APPROVAL BY/DATE:

APPROVAL:

ENG. APPROVAL BY/DATE:

THE TRANE COMPANY

TITLE:
DWG, REF, SUBMITTAL, C1-T2

LATEST E.C.N. NO.:	E.C.N. PRO-E ENTRY BY/DATE:	PLOT SCALE:	PRO-E FILE:	SHEET:	OF:	DRAWING NO.:	REV.:
SPI0100	SAK 09/01/10	NONE		1	1	174N3460	A

4

3

2

1