

4

3

2

1

D

D

C

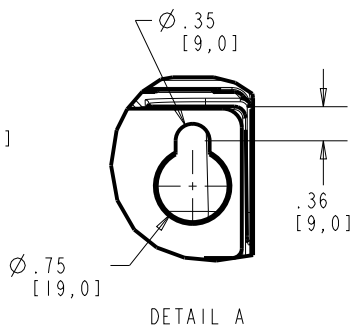
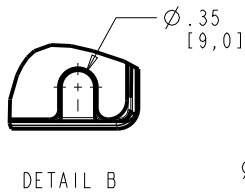
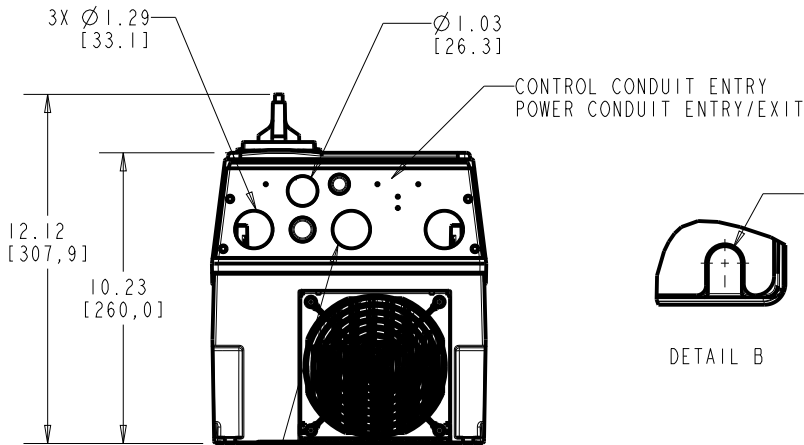
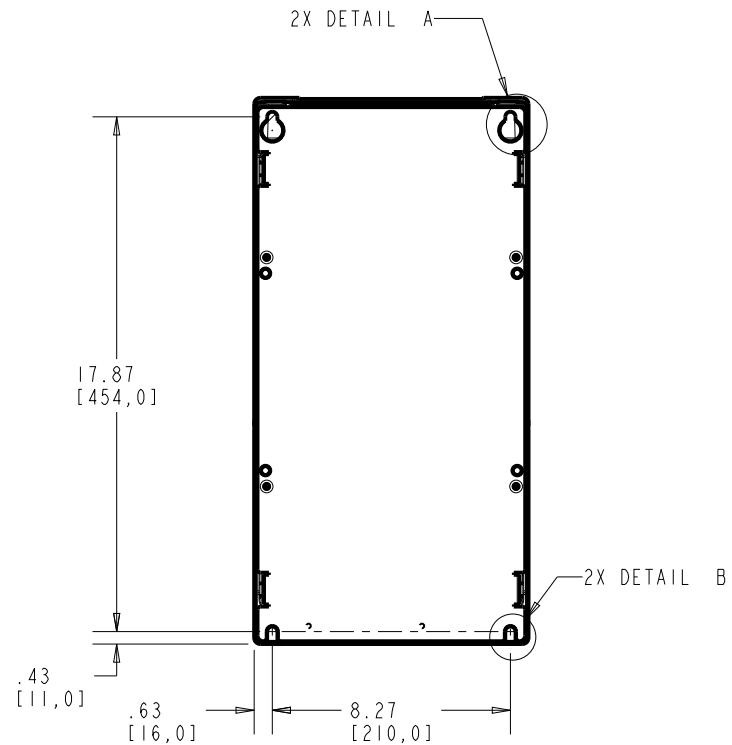
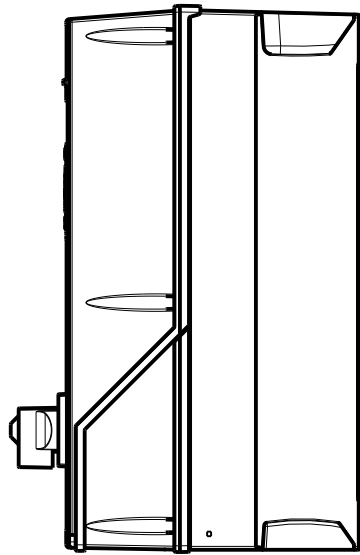
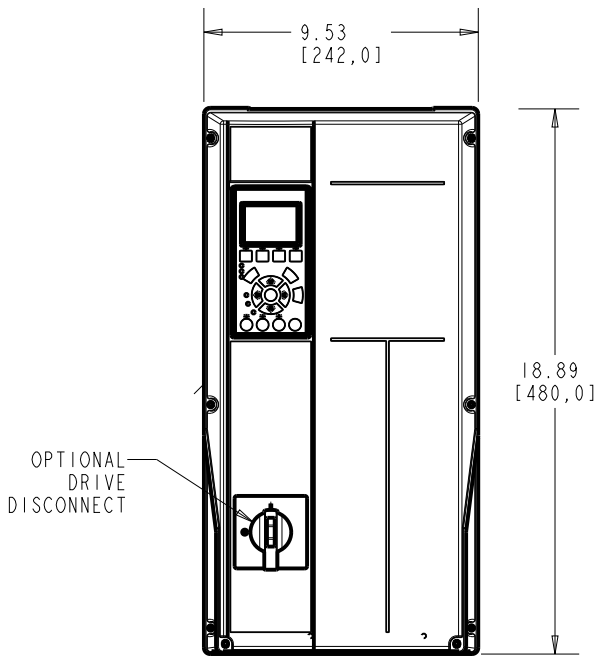
C

B

B

A

A



FRAME SIZE BI		
VOLTAGE	HP	KW
208/230	7.5-15	5.5-11
460/600	15-25	11-18.5

CLEARANCE REQUIREMENT FOR AIR FLOW COOLING:
 THE UNIT MUST BE INSTALLED VERTICALLY WITH THE MINIMUM CLEARANCE OF 3.94in [100.0mm] ON THE TOP AND BOTTOM. ALL UL NEMA TYPE 1/IP21 AND NEMA TYPE 12/IP54 UNITS MAY BE MOUNTED SIDE BY SIDE WITH NO MINIMUM SIDE CLEARANCE.

WEIGHT: 65 lbs [30 kg]

- 1) 3X PLACE CONDUITS IN PRE-EXISTING CONDUIT HOLES
- 2) FOR NEMA TYPE 12 UNITS USE NEMA TYPE 12 CONDUITS AND HUBS

-NOTICE-
 THIS DRAWING IS PROPRIETARY AND SHALL NOT BE COPIED OR ITS CONTENTS DISCLOSED TO OUTSIDE PARTIES WITHOUT THE WRITTEN CONSENT OF THE TRANE COMPANY

PRO-E ENTRY BY/DATE:
 MN 10/20/08
 DESIGNED BY/DATE:
 MN 10/20/08
 APPROVAL:

CHECKED BY/DATE:
 MFG. APPROVAL BY/DATE:
 ENG. APPROVAL BY/DATE:

THE TRANE COMPANY

TITLE:
 DWG, REF, SUBMITTAL, BI-TIER 1, P650

LATEST E.C.N. NO.:
 SPI0100

E.C.N. PRO-E ENTRY BY/DATE:
 SAK 09/01/10

PLOT SCALE:
 NONE

PRO-E FILE:

SHEET: 1 OF 1

DRAWING NO.:
 174N3461

REV.:
 A

4

3

2

1

