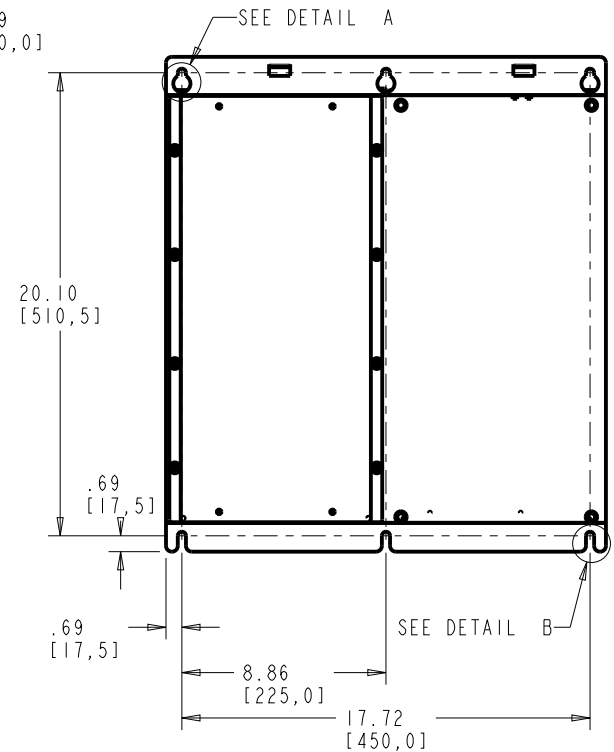
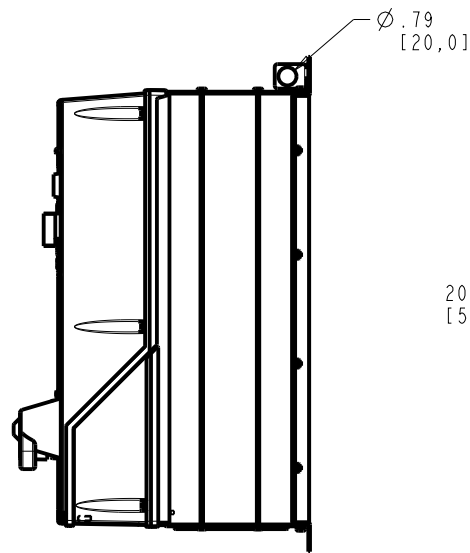
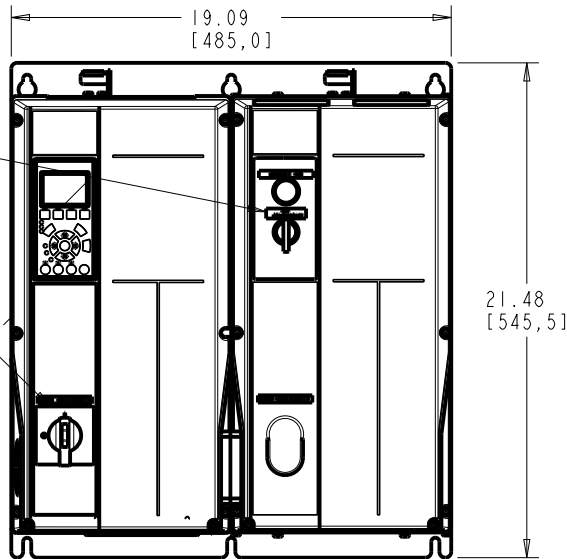


4

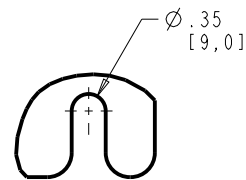
3

2

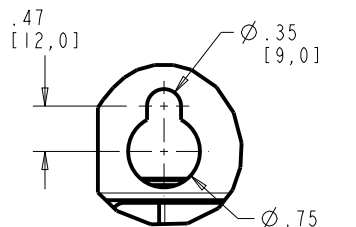
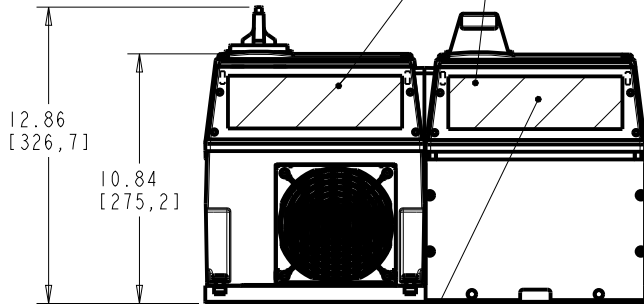
1



CONTROL CONDUIT ENTRY
FOR NEMA TYPE 12 UNITS USE NEMA
TYPE 12 CONDUITS AND HUBS



DETAIL B



DETAIL A

FRAME SIZE BI		
VOLTAGE	HP	KW
208/230	7.5-10	5.5-7.5
460/600	15-25	11-18.5

CLEARANCE REQUIREMENT FOR AIR FLOW COOLING:

THE UNIT MUST BE INSTALLED VERTICALLY WITH THE MINIMUM CLEARANCE OF 3.94in [100.0mm] ON THE TOP AND BOTTOM. ALL UL NEMA TYPE 1/IP21 AND NEMA TYPE 12/IP54 UNITS MAY BE MOUNTED SIDE BY SIDE WITH NO MINIMUM SIDE CLEARANCE.

WEIGHT: 85 lbs [39 kg]

-NOTICE-
THIS DRAWING IS PROPRIETARY AND SHALL NOT
BE COPIED OR ITS CONTENTS DISCLOSED TO
OUTSIDE PARTIES WITHOUT THE WRITTEN
CONSENT OF THE TRANE COMPANY

PRO-E ENTRY BY/DATE:
MN 10/20/08

CHECKED BY/DATE:

DESIGNED BY/DATE:
MN 10/20/08

MFG. APPROVAL BY/DATE:

APPROVAL:

ENG. APPROVAL BY/DATE:

THE TRANE COMPANY

TITLE:
DWG, REF, SUBMITTAL, BI T2

LATEST E.C.N. NO.:

SPI0100

E.C.N. PRO-E ENTRY BY/DATE:

SAK 09/01/10

PLOT SCALE:

NONE

PRO-E FILE:

SHEET:

OF:

DRAWING NO.:

174N3462

REV.:

A

4

3

2

1

