

4

3

2

1

D

D

C

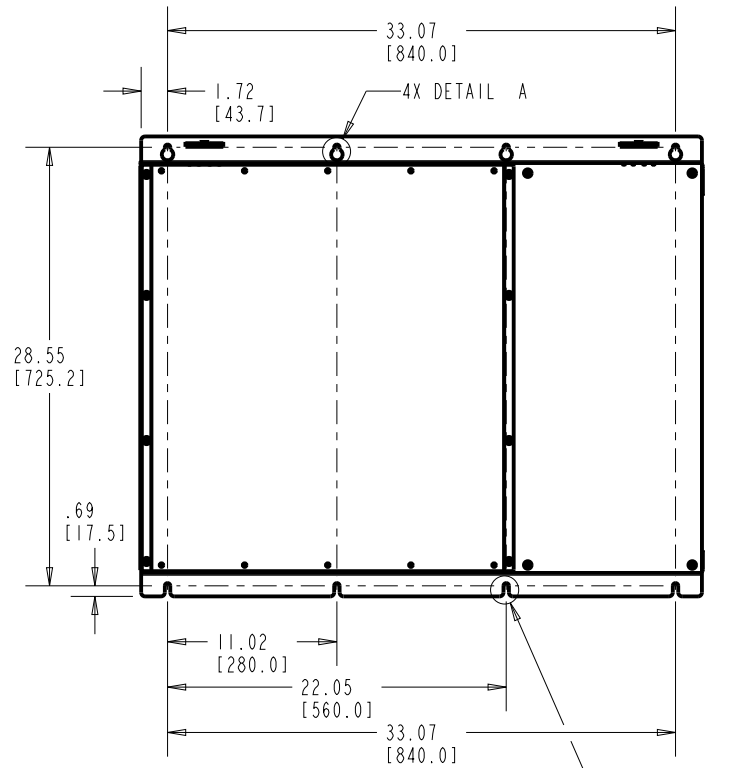
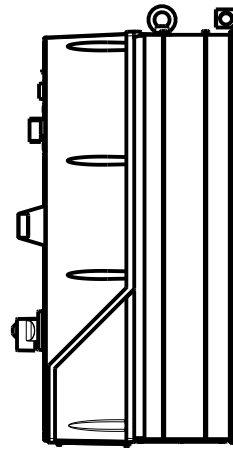
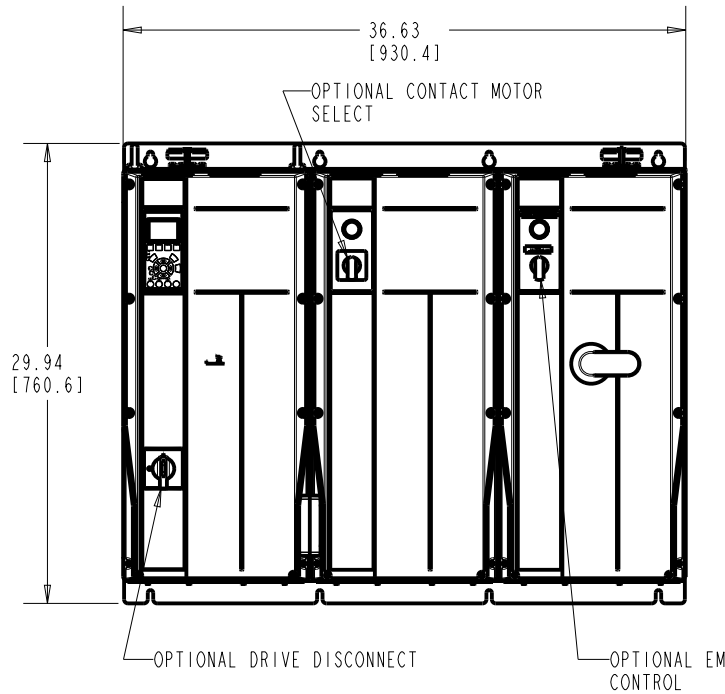
C

B

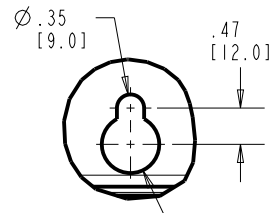
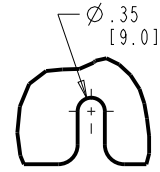
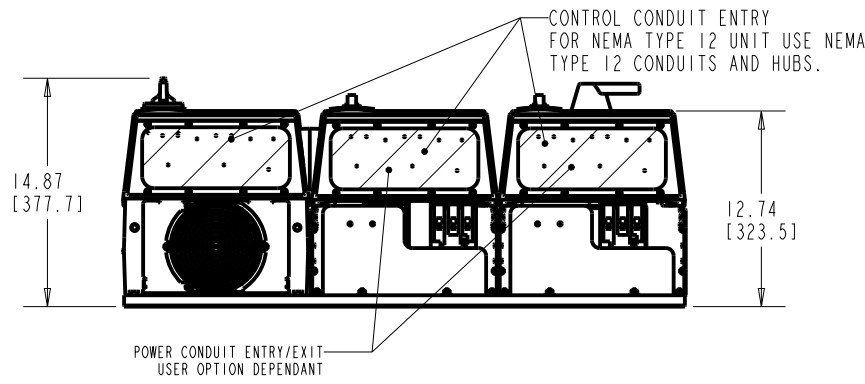
B

A

A



FRAME SIZE CI		
VOLTAGE	HP	KW
208/230	25-30	18.5-22
460/600	50-75	37-55



CLEARANCE REQUIREMENT FOR AIR COOLING:
 THE UNIT MUST BE INSTALLED VERTICALLY WITH THE MINIMUM CLEARANCE OF 7.88in [200.0mm] ON THE TOP AND BOTTOM. ALL UL NEMA TYPE 1/1P21 AND NEMA TYPE 12/1P54 UNITS MAY BE MOUNTED SIDE BY SIDE WITH NO MINIMUM SIDE CLEARANCE.

WEIGHT: 215 lbs [98 kg]

-NOTICE-
 THIS DRAWING IS PROPRIETARY AND SHALL NOT BE COPIED OR ITS CONTENTS DISCLOSED TO OUTSIDE PARTIES WITHOUT THE WRITTEN CONSENT OF THE TRANE COMPANY

PRO-E ENTRY BY/DATE:
 MN 10/20/08
 DESIGNED BY/DATE:
 MN 10/20/08
 APPROVAL:

CHECKED BY/DATE:
 MFG. APPROVAL BY/DATE:
 ENG. APPROVAL BY/DATE:

THE TRANE COMPANY

TITLE:
 DWG, REF, SUBMITTAL, CI -TIER 3

LATEST E.C.N. NO.:	E.C.N. PRO-E ENTRY BY/DATE:	PLOT SCALE:	PRO-E FILE:	SHEET:	OF:	DRAWING NO.:	REV.:
SPI0100	SAK 09/01/10	NONE		1	1	174N3468	A

4

3

2

1