

4

3

2

1

D

D

C

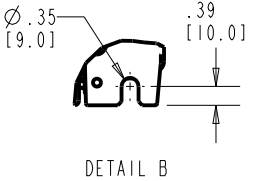
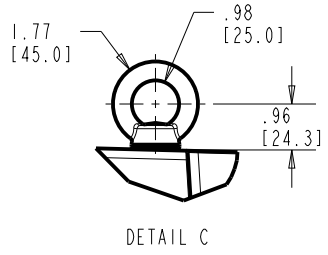
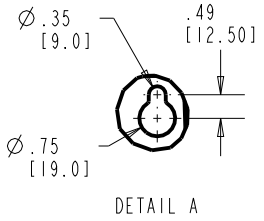
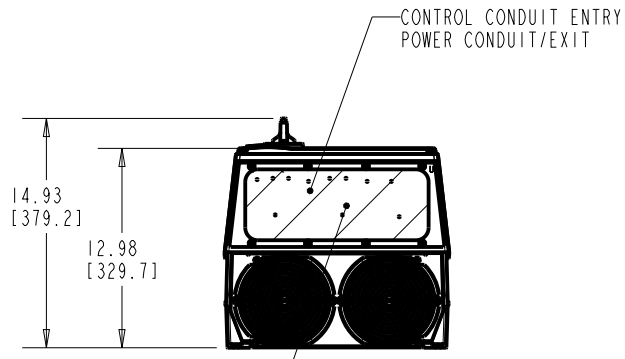
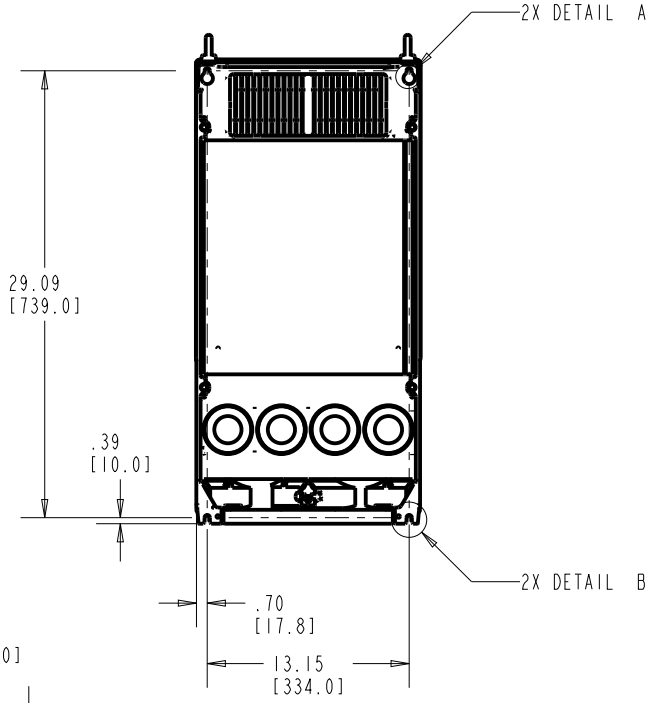
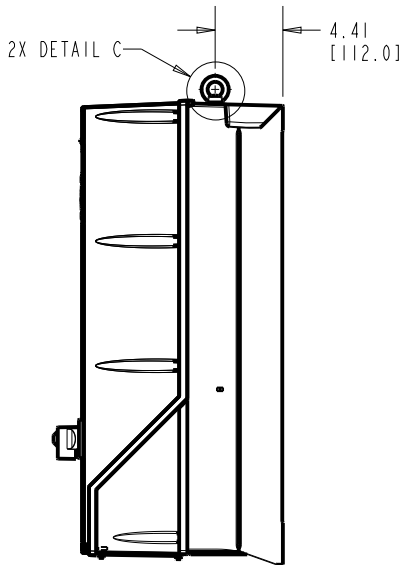
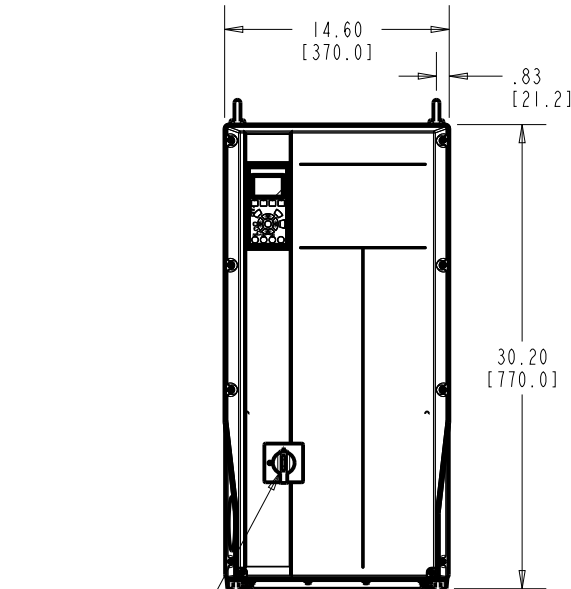
C

B

B

A

A



FRAME SIZE C2		
VOLTAGE	HP	KW
208/230	50-60	37-45
460/600	100-125	75-90

FOR NEMA TYPE 12 UNIT USE
NEMA TYPE 12 CONDUITS AND HUBS.

CLEARANCE REQUIREMENT FOR AIR FLOW COOLING:
THE UNIT MUST BE INSTALLED VERTICALLY WITH THE MINIMUM CLEARANCE OF 8.86in [225.0mm] ON THE TOP AND BOTTOM. ALL UL NEMA TYPE 1/1P2I AND NEMA TYPE 12/1P54 UNITS MAY BE MOUNTED SIDE BY SIDE WITH NO MINIMUM SIDE CLEARANCE.

WEIGHT: 130 lbs [59 kg]

<p align="center">-NOTICE- THIS DRAWING IS PROPRIETARY AND SHALL NOT BE COPIED OR ITS CONTENTS DISCLOSED TO OUTSIDE PARTIES WITHOUT THE WRITTEN CONSENT OF THE TRANE COMPANY</p>			PRO-E ENTRY BY/DATE: MN 10/20/08	CHECKED BY/DATE:	THE TRANE COMPANY
			DESIGNED BY/DATE: MN 10/20/08	MFG. APPROVAL BY/DATE:	
LATEST E.C.N. NO.: SPI0100			E.C.N. PRO-E ENTRY BY/DATE: SAK 09/01/10	APPROVAL:	ENG. APPROVAL BY/DATE:
PLOT SCALE: NONE			PRO-E FILE:	TITLE: DWG, REF, SUBMITTAL, C2-TIER 1	
SHEET: 1		OF: 1	DRAWING NO.: 174N3469		REV.: A

4

3

2

1