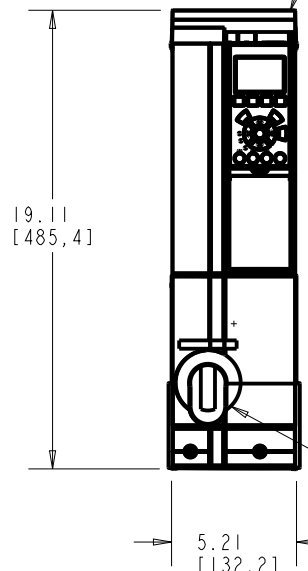
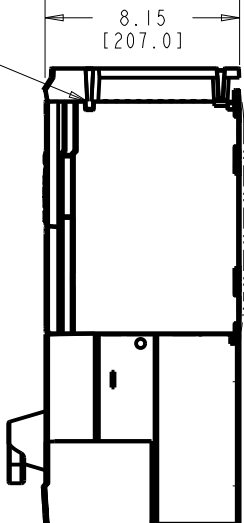


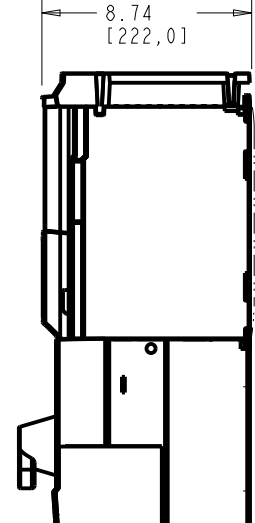
TO MOUNT UNIT
REMOVE TOP HAT BY
UNSNAPPING FRONT CLIPS



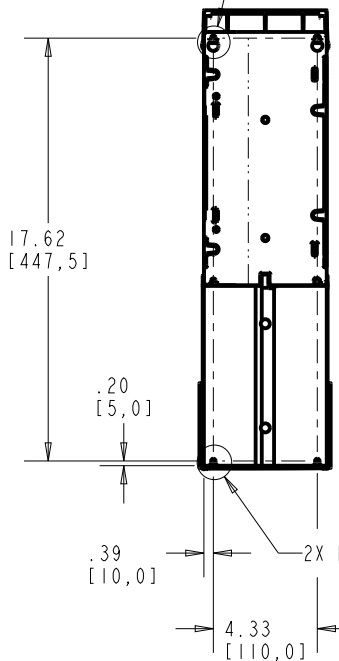
DEPTH WITHOUT
OPTION A OR B



DEPTH WITH
OPTION A OR B

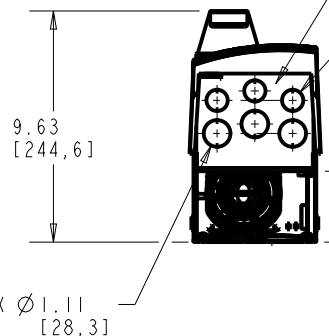


2X DETAIL B

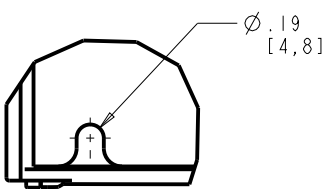
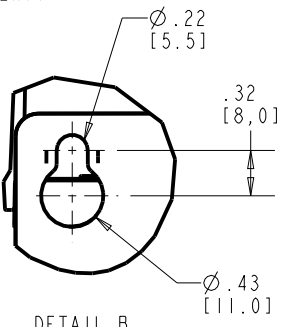


OPTIONAL
DRIVE
DISCONNECT

POWER CONDUIT ENTRY/EXIT



3X ϕ .89 [22,5]



DETAIL A

DETAIL B

FRAME SIZE A2 AND A3		
VOLTAGE	HP	KW
208/230	0.5-5	1.1-3.7
460/600	0.5-10	1.1-7.5

CLEARANCE REQUIREMENT FOR AIR FLOW COOLING:
THE UNIT MUST BE INSTALLED VERTICALLY WITH THE
MINIMUM CLEARANCE OF 3.94in [100.0mm] ON THE BOTTOM.
ALLOW 1.50in [38.1mm] ON EITHER SIDE FOR UNIT COOLING.
WEIGHT: 30 lbs [14 kg]

-NOTICE-
THIS DRAWING IS PROPRIETARY AND SHALL NOT
BE COPIED OR ITS CONTENTS DISCLOSED TO
OUTSIDE PARTIES WITHOUT THE WRITTEN
CONSENT OF THE TRANE COMPANY

PRO-E ENTRY BY/DATE:
MN 10/20/08
DESIGNED BY/DATE:
MN 10/20/08
APPROVAL:

CHECKED BY/DATE:
MFG. APPROVAL BY/DATE:
ENG. APPROVAL BY/DATE:

THE TRANE COMPANY

TITLE:
DWG, REF, SUBMITTAL, A2-A3-TIER 1, P650

LATEST E.C.N. NO.: SPI0100 E.C.N. PRO-E ENTRY BY/DATE: SAK 09/01/10 PLOT SCALE: NONE PRO-E FILE: SHEET: 1 OF: 1 DRAWING NO.: 174N3472 REV.: A