

HORSEPOWER VALUES				DIMENSIONS inches [mm]													FIG.
208V	230V	460V	600V	H	W	D	a	b	c	d	e	f	g	h	i		
0.5HP - 3.0HP	0.5HP - 3.0HP	0.5HP - 10HP	0.5HP - 10HP	30.0 [761.8]	28.8 [732.1]	11.0 [278.6]	20.0 [508.3]	4.6 [116.9]	31.25 [793.8]	1.77 [45]	3.1 [78.5]	6.9 [175.3]	12.0 [304.8]	2.0 [50.8]	2.0 [50.8]	1	
5.0HP - 10HP	5.0HP - 10HP	15HP - 25HP	15HP - 25HP	38.0 [967]	31.1 [790]	12.25 [310.3]	22.0 [559]	4.5 [113.5]	39.25 [996.8]	1.77 [45]	3.1 [78.5]	8.2 [208]	9.7 [246]	2.0 [50.8]	2.0 [50.8]	1	
15HP - 20HP	15HP - 20HP	30HP - 40HP	30HP - 40HP	38.0 [967]	31.1 [790]	12.25 [310.3]	22.0 [559]	4.5 [113.5]	39.25 [996.8]	1.77 [45]	3.1 [78.5]	8.2 [208]	9.7 [246]	2.0 [50.8]	2.0 [50.8]	2	
25HP - 30HP	25HP - 30HP	50HP - 75HP	50HP - 75HP	47.0 [1196]	38.2 [970.4]	16.00 [406.4]	29.0 [736.6]	4.6 [116.9]	48.25 [1225.4]	1.77 [45]	3.1 [78.5]	10.2 [259]	14.25 [362]	2.0 [50.8]	2.0 [50.8]	2	

FIGURE 1

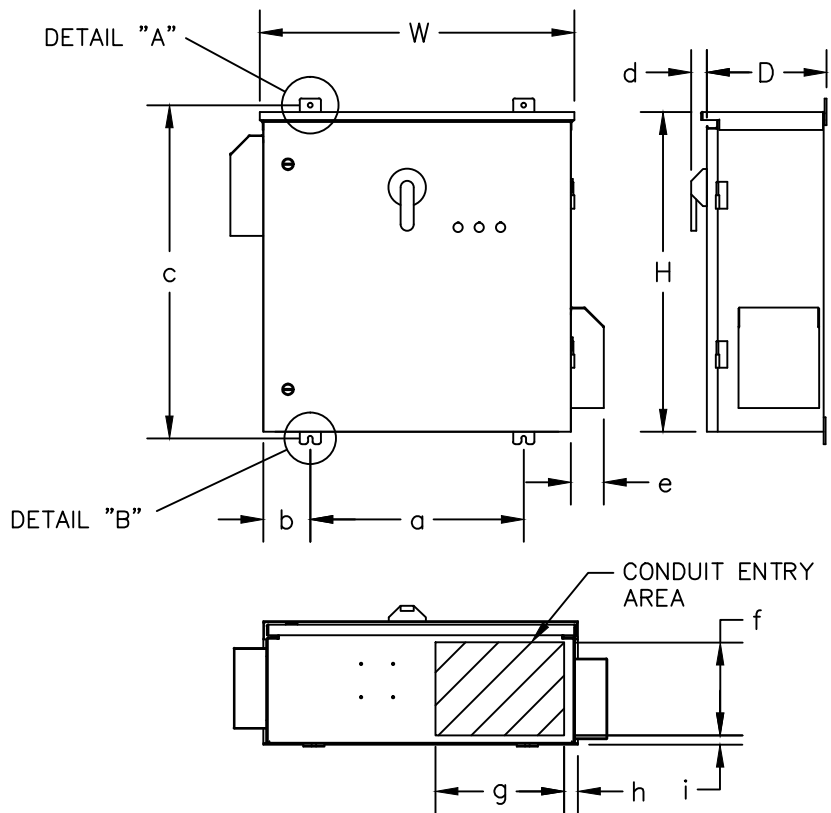
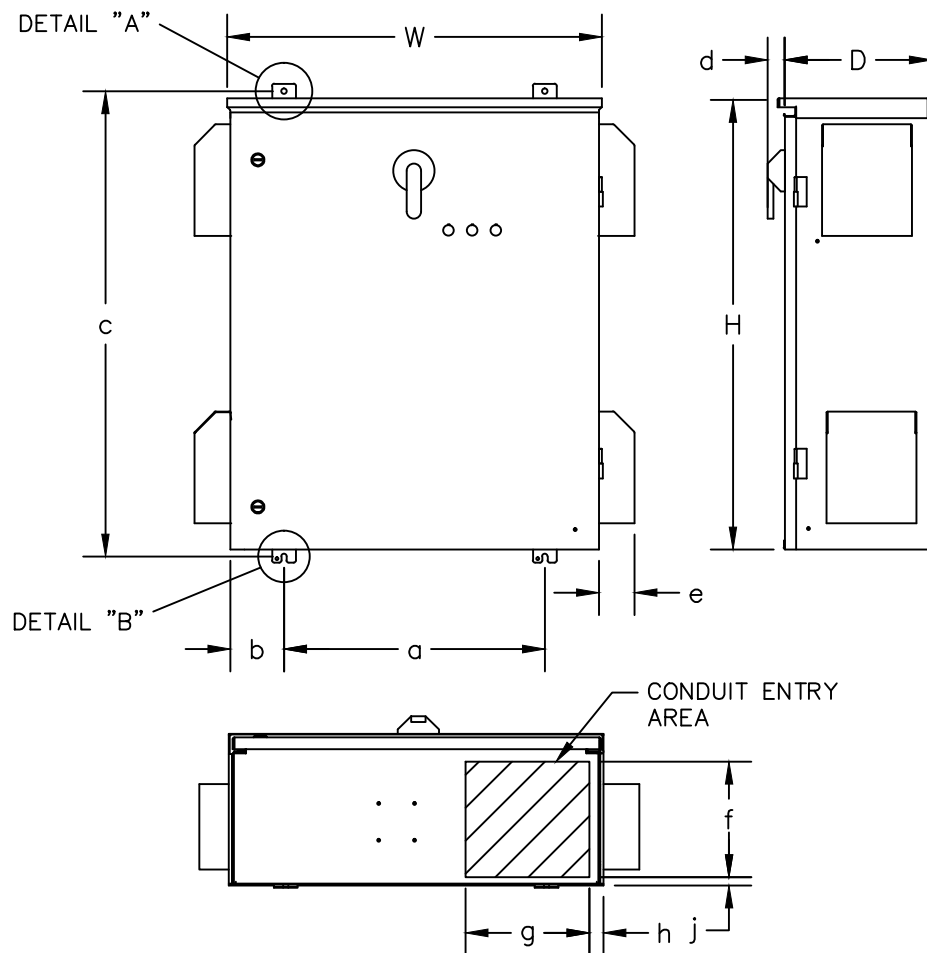


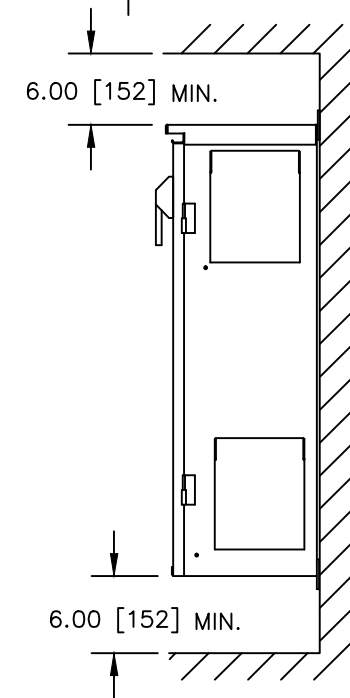
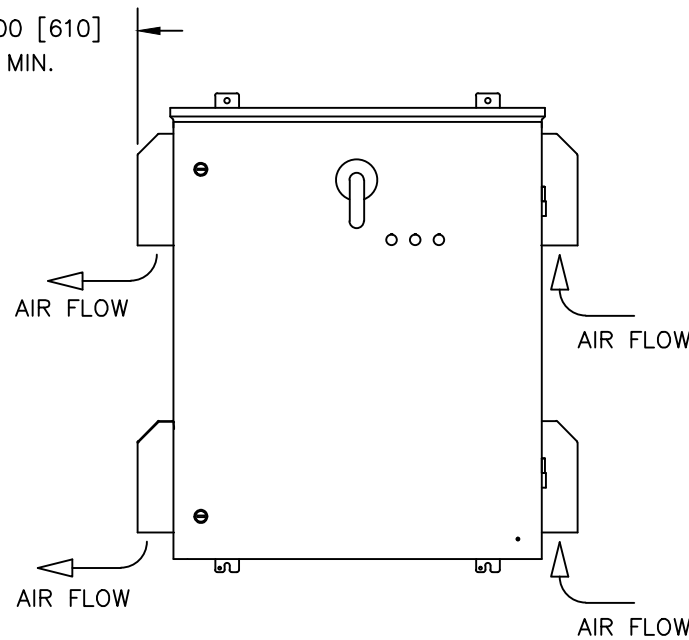
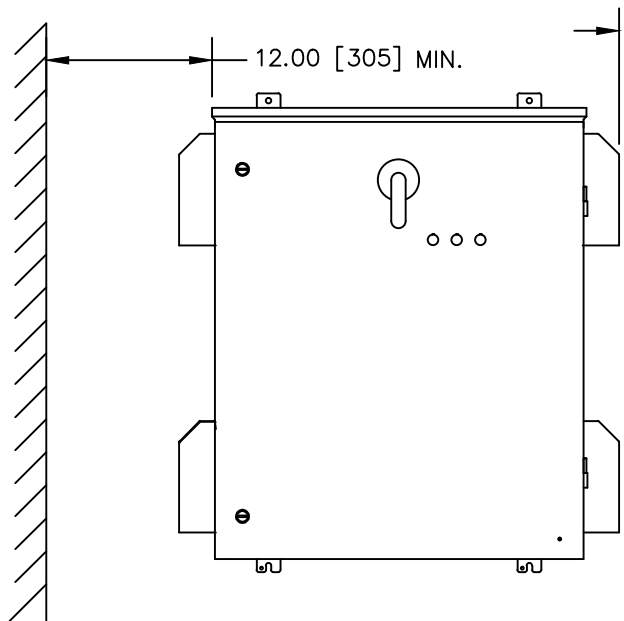
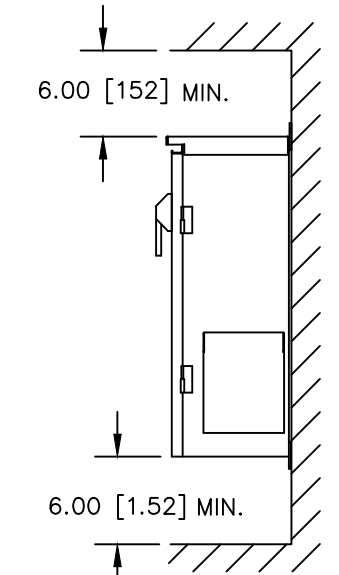
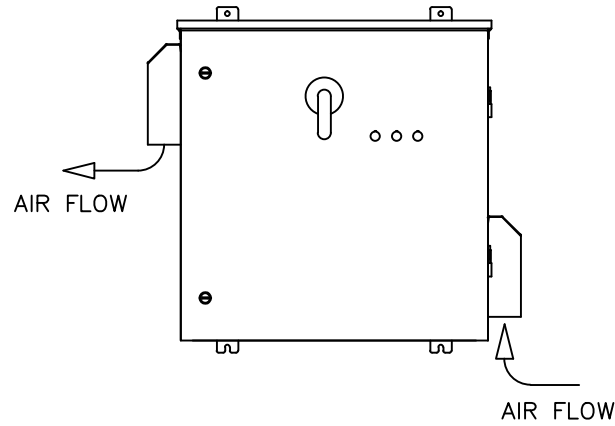
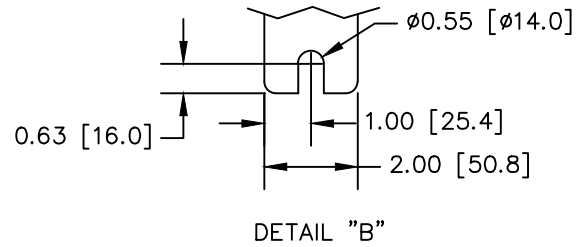
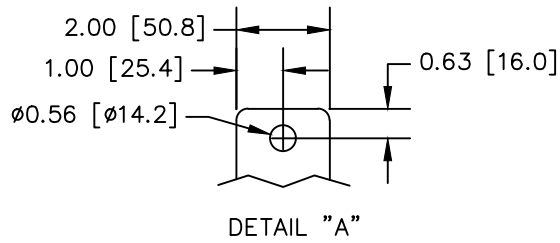
FIGURE 2




DIMENSIONS ARE NOT FOR MANUFACTURING PURPOSES

B			<p align="center">- NOTICE -</p> <p>THIS DOCUMENT CONTAINS PROPRIETARY INFORMATION OF DANFOSS DRIVES. IT IS LOANED BY DANFOSS DRIVES SUBJECT TO THE CONDITIONS THAT IT AND THE INFORMATION EMBODIED THEREIN SHALL BE USED ONLY FOR RECORD AND REFERENCE PURPOSES, SHALL NOT BE USED OR CAUSED TO BE USED IN ANY WAY PREJUDICIAL TO THE INTERESTS OF DANFOSS DRIVES, SHALL NOT BE REPRODUCED OR COPIED IN WHOLE OR IN PART, OR DISCLOSED TO ANYONE WITHOUT THE DIRECT WRITTEN PERMISSION OF DANFOSS DRIVES AND SHALL BE RETURNED UPON REQUEST.</p>	DRN	NAME					
A	SP10079	7/10		DTM	INSTALLATION / DIMENSIONAL DRAWING					
DR	ECNSP07050	8/07		APR	MODEL	VLT	PAGE 1 OF 2	SIZE A	DWG NO.	174N1852
REV	ECN	DATE		DTM						

DIMENSIONS ARE IN INCHES [MILLIMETERS]



DIMENSIONS ARE NOT FOR MANUFACTURING PURPOSES

B			THIS DOCUMENT CONTAINS PROPRIETARY INFORMATION OF DANFOSS DRIVES. IT IS LOANED BY DANFOSS DRIVES SUBJECT TO THE CONDITIONS THAT IT AND THE INFORMATION EMBODIED THEREIN SHALL BE USED ONLY FOR RECORD AND REFERENCE PURPOSES, SHALL NOT BE USED OR CAUSED TO BE USED IN ANY WAY PREJUDICIAL TO THE INTERESTS OF DANFOSS DRIVES, SHALL NOT BE REPRODUCED OR COPIED IN WHOLE OR IN PART, OR DISCLOSED TO ANYONE WITHOUT THE DIRECT WRITTEN PERMISSION OF DANFOSS DRIVES AND SHALL BE RETURNED UPON REQUEST.	DRN	NAME			
A	SP10079	7/10		DTM	INSTALLATION / DIMENSIONAL DRAWING			
DR	ECNSP07050	8/07		APR	MODEL	PAGE	SIZE	DWG NO.
REV	ECN	DATE		DTM	VLT	2 OF 2	A	174N1852