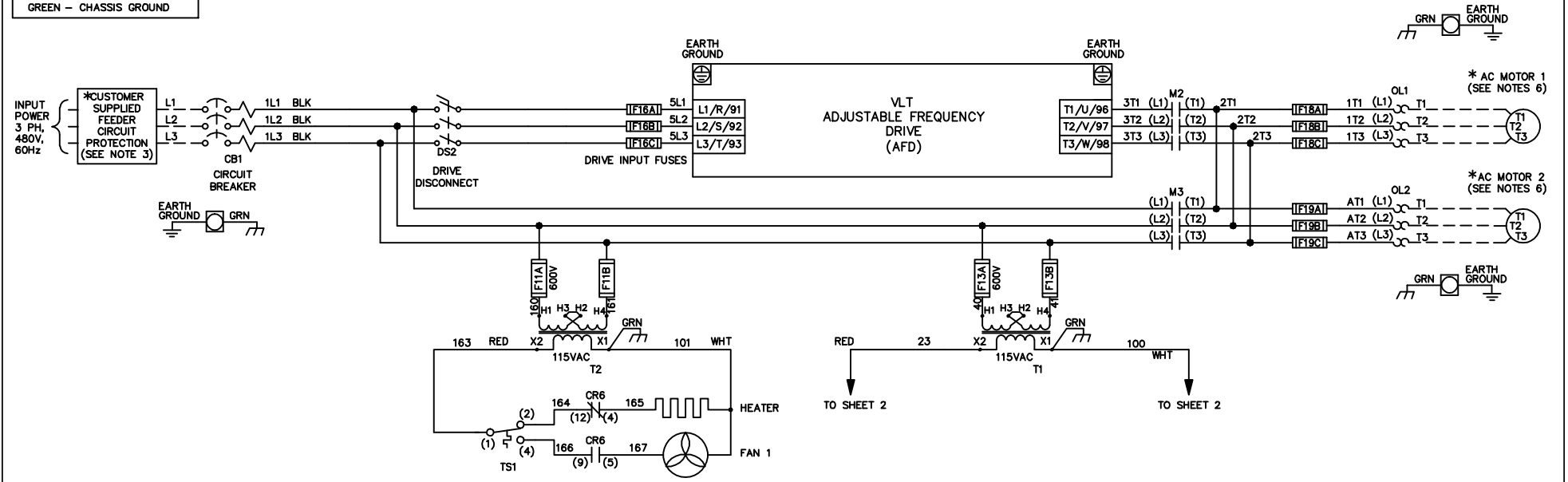


| WIRE COLOR SCHEME |                     |
|-------------------|---------------------|
| BLACK             | - LINE VOLTAGE      |
| RED               | - AC CONTROL        |
| WHITE             | - AC GROUNDED       |
|                   | - CIRCUIT CONDUCTOR |
| BLUE              | - DC CONTROL        |
| GREEN             | - CHASSIS GROUND    |



**WARNING!**  
 THE FOLLOWING TABLE LIST THE PARAMETERS THAT ARE SET DIFFERENT FROM THE DRIVE DEFAULT SETTINGS. ADDITIONAL PARAMETER SETTINGS MAY BE REQUIRED FOR YOUR APPLICATION.

DRIVE PARAMETER SETTINGS

| PARAMETER # | NAME              | SETTING | VALUE              |
|-------------|-------------------|---------|--------------------|
| 0-02        | MOTOR SPEED UNIT  | 1       | HZ                 |
| 0-03        | REGIONAL SETTINGS | 1       | NORTH AMERICA      |
| 1-03        | TORQUE CHAR.      | 1       | VARIABLE TORQUE    |
| 5-02        | TERMINAL 29 TYPE  | 1       | OUTPUT             |
| 5-31        | TERMINAL 29       | 5       | RUNNING            |
| 14-20       | RESET MODE        | 13      | INFINITE AUTO REST |

- NOTES:
- \* INDICATES COMPONENTS NOT SUPPLIED BY MANUFACTURER.
  - REFER TO THE INSTALLATION AND OPERATION MANUAL FOR DRIVE FUNCTIONS AND PARAMETER SETTINGS.
  - FEEDER CIRCUIT PROTECTION, INPUT POWER AND MOTOR WIRING MUST BE SELECTED IN ACCORDANCE WITH THE N.E.C., ANY APPLICATION LOCAL CODES AND THE LOAD CURRENT RATING.
  - REPLACE JUMPER 'J1' WITH NORMALLY CLOSED SAFETY INTERLOCK CONTACT AS NECESSARY. CONTACT MUST BE RATED 1/4 HP @ 120VAC MINIMUM.
  - PANEL MAY REQUIRE DERATING, CONSULT DRIVE MANUAL OR FACTORY FOR FOLLOWING CONDITIONS:
    - HIGHER SWITCHING FREQUENCY THEN DRIVE DEFAULT
    - HIGHER THEN PANEL LISTED AMBIENT TEMPERATURES
    - ELEVATION ABOVE 3300 FEET (1000 METERS)
    - LONG MOTOR LEAD LENGTHS
  - WHEN MOTOR OVERLOADS SIZES ARE DIFFERENT, MOTOR 1 WILL BE THE LARGER OF THE TWO MOTORS

|     |            |      |          |   |     |       |   |             |  |                  |
|-----|------------|------|----------|---|-----|-------|---|-------------|--|------------------|
| B   |            |      | -NOTICE- | DRN   | DTM | NAME  |   |             | THE TRANE COMPANY<br>A DIVISION OF<br>AMERICAN STANDARD INC. |                  |
| A   |            |      |          | THIS DRAWING IS PROPRIETARY AND SHALL NOT BE COPIED OR ITS CONTENTS DISCLOSED TO OUTSIDE PARTIES WITHOUT THE WRITTEN CONSENT OF THE TRANE COMPANY |     |       | NEMA 3R,480V,2C<br>,MAIN CB & DRIVE DISC,DRIVE FUSE<br>,3MB2,DUAL MOTOR,1 FAN |             |  |                  |
| DR  | ECNSP09001 | 1/09 |          | APR   | DTM | MODEL | VLT   | PAGE 1 OF 2 | SIZE A   | DWG NO. 174N4145 |
| REV | ECN        | DATE |          |   |     |       |   |             |  |                  |

**WIRE COLOR SCHEME**  
 BLACK - LINE VOLTAGE  
 RED - AC CONTROL  
 WHITE - AC GROUNDED  
 CIRCUIT CONDUCTOR  
 BLUE - DC CONTROL  
 GREEN - CHASSIS GROUND

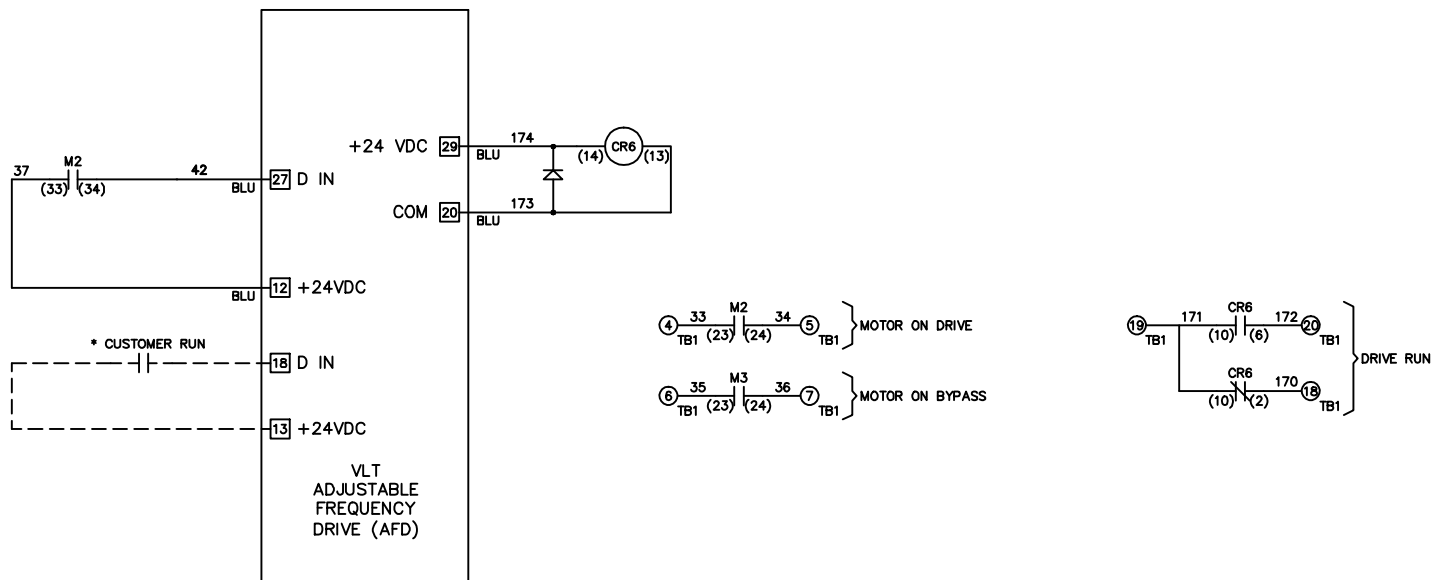
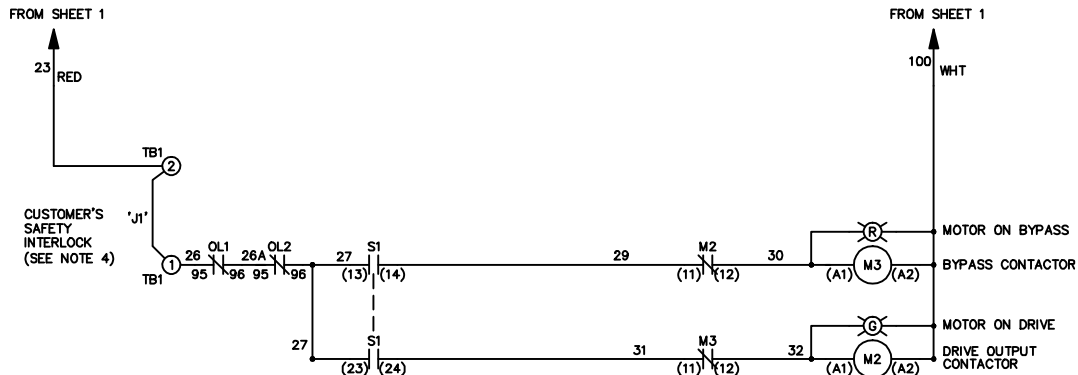
**TERMINAL IDENTIFICATION**  
 [X] - DRIVE TERMINAL  
 (X) - CUSTOMER TERMINAL

**CUSTOMER DRY CONTACT RATINGS**

| RELAY  | CONTACT RATING                  |
|--------|---------------------------------|
| CR6    | 5A @ 120VAC<br>1/10 HP @ 120VAC |
| M2, M3 | 10A @ 120/240VAC                |

**CONTACT SEQUENCE CHART FOR S1**  
 X INDICATES CONTACT CLOSED

| POSITION | DRIVE | OFF | BYPASS |
|----------|-------|-----|--------|
| 13-14    |       |     | X      |
| 23-24    | X     |     |        |



|    |            |      |   |            |   |                |           |  |  |
|----|------------|------|---|------------|---|----------------|-----------|--|--|
| B  |            |      | <p align="center">-NOTICE-</p> <p>THIS DRAWING IS PROPRIETARY AND SHALL NOT BE COPIED OR ITS CONTENTS DISCLOSED TO OUTSIDE PARTIES WITHOUT THE WRITTEN CONSENT OF THE TRANE COMPANY</p> | DRN<br>DTM | NAME<br>NEMA 3R,480V,2C<br>,MAIN CB & DRIVE DISC,DRIVE FUSE<br>,3MB2,DUAL MOTOR,1 FAN |                |           | THE TRANE COMPANY<br>A DIVISION OF<br>AMERICAN STANDARD INC. |  |
| A  |            |      |   | APR<br>DTM | MODEL<br>VLT  | PAGE<br>2 OF 2 | SIZE<br>A | DWG NO. 174N4145   |  |
| DR | ECNSP09001 | 1/09 |   | REV        | ECN   | DATE           |           |  |  |