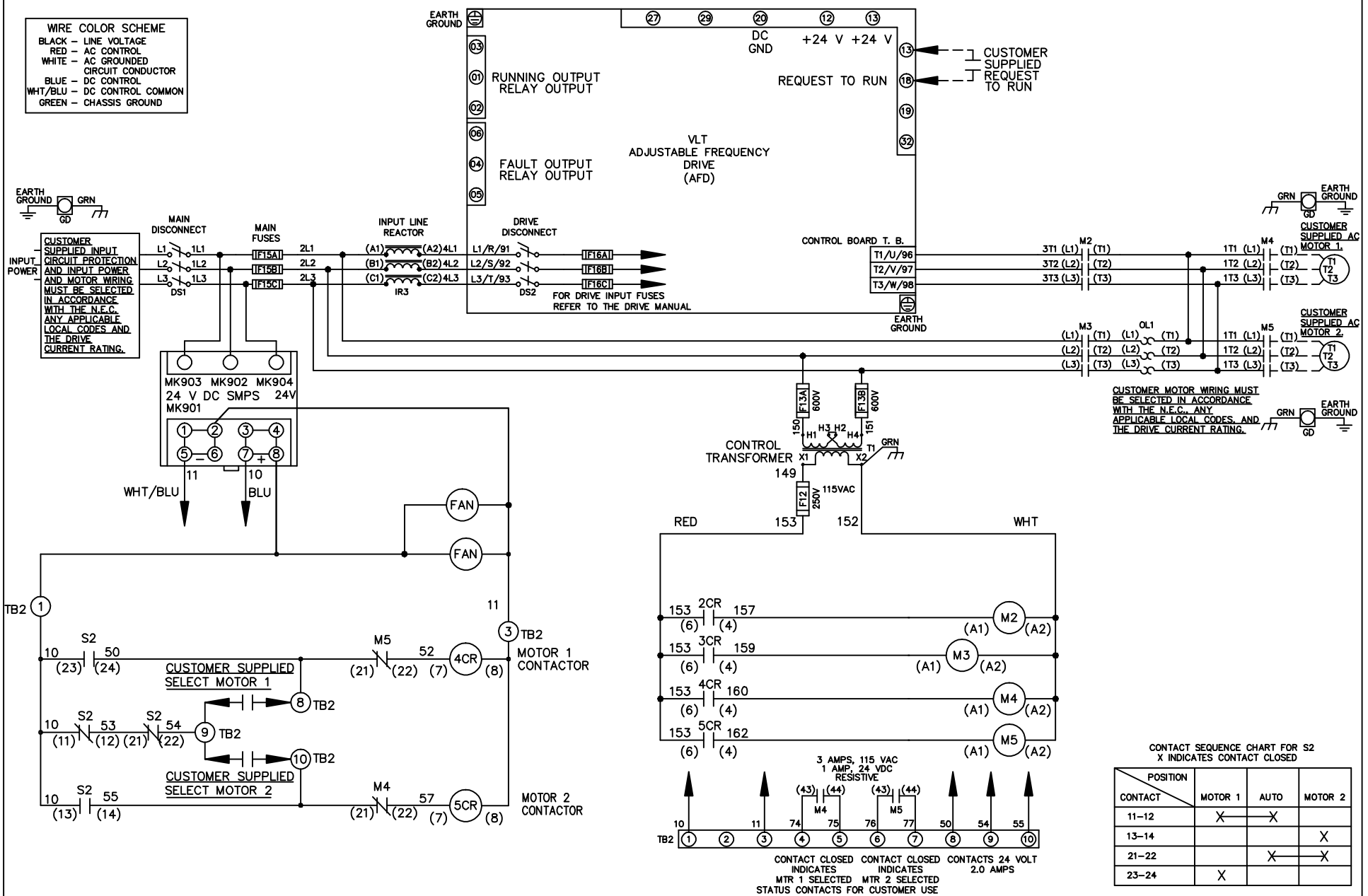


- WIRE COLOR SCHEME**
- BLACK - LINE VOLTAGE
 - RED - AC CONTROL
 - WHITE - AC GROUNDED CIRCUIT CONDUCTOR
 - BLUE - DC CONTROL
 - WHT/BLU - DC CONTROL COMMON
 - GREEN - CHASSIS GROUND



REV	ECN	DATE
A	SP08061	10/08

- NOTICE -

THIS DOCUMENT CONTAINS PROPRIETARY INFORMATION OF DANFOSS DRIVES. IT IS LOANED BY DANFOSS DRIVES SUBJECT TO THE CONDITIONS THAT IT AND THE INFORMATION EMBODIED THEREIN SHALL BE USED ONLY FOR RECORD AND REFERENCE PURPOSES. SHALL NOT BE USED OR CAUSED TO BE USED IN ANY WAY PREJUDICIAL TO THE INTERESTS OF DANFOSS DRIVES, SHALL NOT BE REPRODUCED OR COPIED IN WHOLE OR IN PART, OR DISCLOSED TO ANYONE WITHOUT THE DIRECT WRITTEN PERMISSION OF DANFOSS DRIVES AND SHALL BE RETURNED UPON REQUEST.

DRN JNW
2/14/07
APR

NAME 460 VOLT, 2C, MAIN & DRIVE DISC
, MAIN FUSE, ECB, FRAME C2N12
, REACTOR, CMS

MODEL

PAGE 1 OF 2

SIZE A

DWG NO. 174U2361



REV	ECN	DATE
A	SP08066	10/08

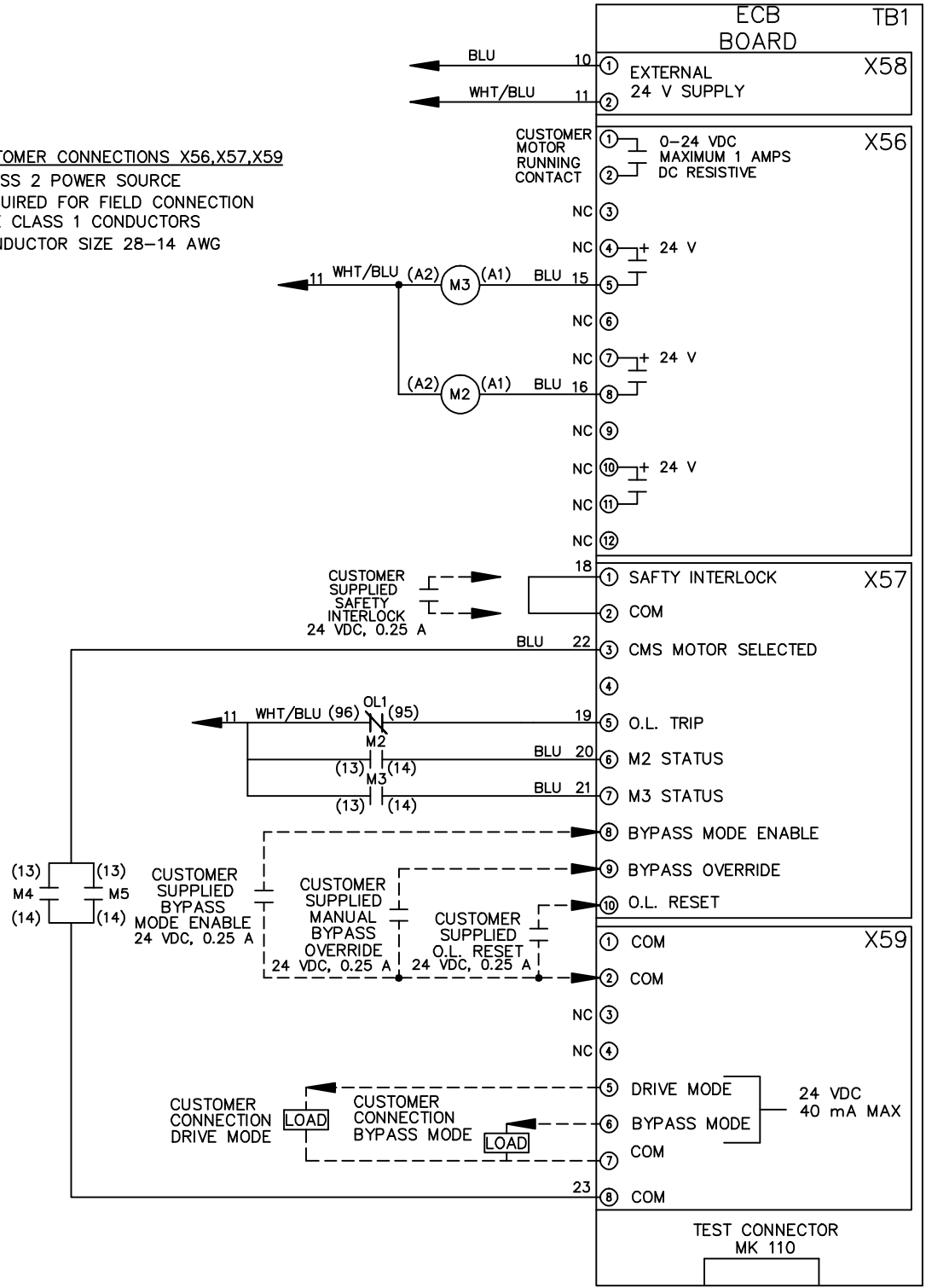
NOTICE -
 THIS DOCUMENT CONTAINS PROPRIETARY INFORMATION OF DANFOSS DRIVES. IT IS LOANED BY DANFOSS DRIVES SUBJECT TO THE CONDITIONS THAT IT AND THE INFORMATION EMBODIED HEREIN SHALL BE USED ONLY FOR RECORD AND REFERENCE PURPOSES. SHALL NOT BE USED OR COPIED, OR BE USED IN ANY MANNER, INCLUDING TO THE INTERESTS OF DANFOSS DRIVES, SHALL NOT BE REPRODUCED OR COPIED IN WHOLE OR IN PART, OR DISCLOSED AND SHALL BE RETURNED UPON REQUEST.

DRN JUNW
 2/14/07
 APR

NAME 460 VOLT, 2C, MAIN&DRIVE DISC
 , MAIN FUSE, ECB, FRAME C2N12
 , REACTOR, CMS
 MODEL
 PAGE 2 OF 2
 SIZE A
 DWG NO. 174U2361



CUSTOMER CONNECTIONS X56, X57, X59
 CLASS 2 POWER SOURCE
 REQUIRED FOR FIELD CONNECTION
 USE CLASS 1 CONDUCTORS
 CONDUCTOR SIZE 28-14 AWG



ECB BOARD TB1	
①	EXTERNAL 24 V SUPPLY X58
②	EXTERNAL 24 V SUPPLY X58
①	0-24 VDC MAXIMUM 1 AMPS DC RESISTIVE X56
②	0-24 VDC MAXIMUM 1 AMPS DC RESISTIVE X56
③	NC
④	NC
⑤	NC
⑥	NC
⑦	NC
⑧	NC
⑨	NC
⑩	NC
⑪	NC
⑫	NC
①	SAFETY INTERLOCK X57
②	COM
③	CMS MOTOR SELECTED
④	NC
⑤	O.L. TRIP
⑥	M2 STATUS
⑦	M3 STATUS
⑧	BYPASS MODE ENABLE
⑨	BYPASS OVERRIDE
⑩	O.L. RESET
①	COM X59
②	COM X59
③	NC
④	NC
⑤	DRIVE MODE
⑥	BYPASS MODE
⑦	COM
⑧	COM
TEST CONNECTOR MK 110	