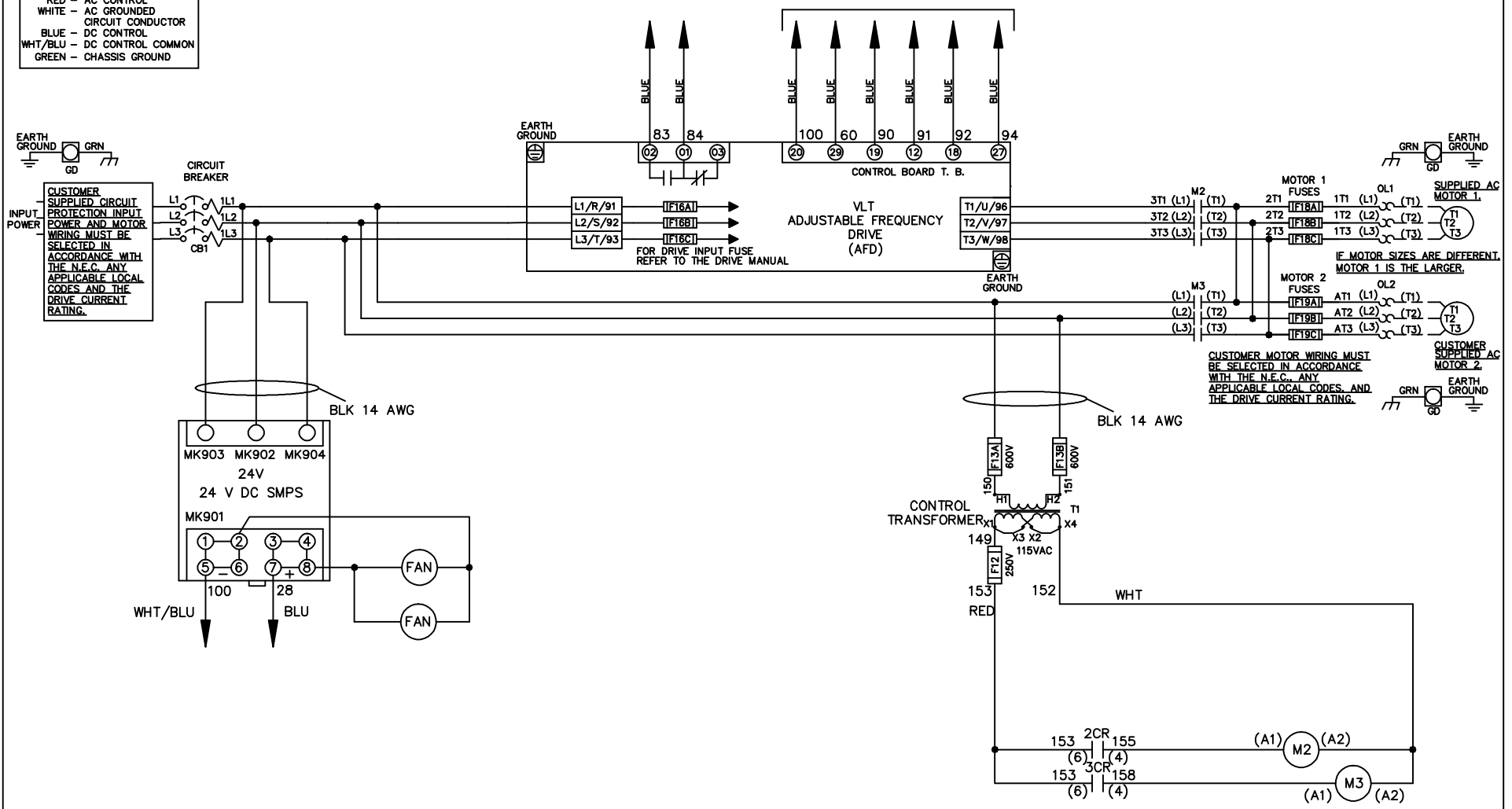


**WIRE COLOR SCHEME**  
 BLACK - LINE VOLTAGE  
 RED - AC CONTROL  
 WHITE - AC GROUND  
 BLUE - DC CONTROL  
 WHT/BLU - DC CONTROL COMMON  
 GREEN - CHASSIS GROUND

\* ALL CONTROL WIRES ARE BLUE EXCEPT WHERE NOTED. TO ELECTROMECHANICAL RELAY BOARD



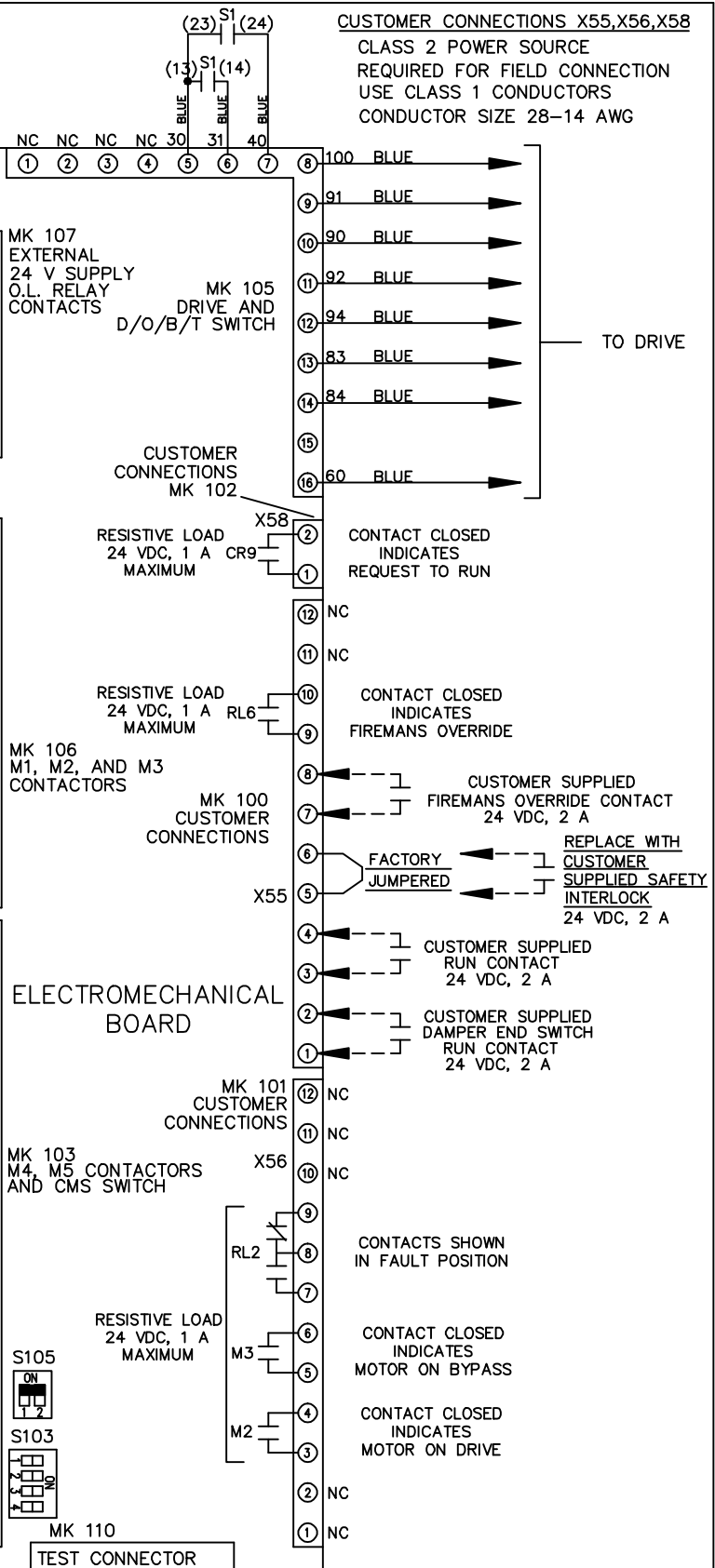
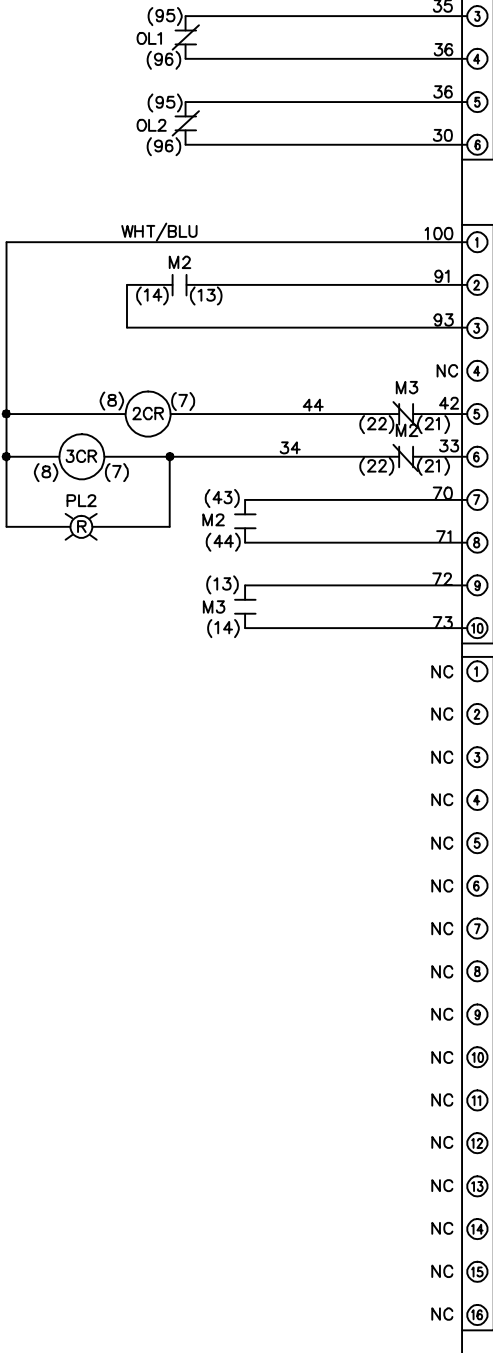
|     |         |       |   |  |                   |     |   |             |                |                  |
|-----|---------|-------|---|--|-------------------|-----|---|-------------|----------------|------------------|
|     |         |       | - NOTICE -  |  | DRN JNW<br>2/8/07 |     | NAME600 VOLT,2C,CB<br>,DRIVE FUSE,EMB2,FRAME C2N12<br>,NO REACTOR & DVDT,DUAL MTR |             | <i>Danfoss</i> |                  |
| A   | SP08061 | 10/08 | THIS DOCUMENT CONTAINS PROPRIETARY INFORMATION OF DANFOSS DRIVES. IT IS LOANED BY DANFOSS DRIVES SUBJECT TO THE CONDITIONS THAT IT AND THE INFORMATION EMBODIED THEREIN SHALL BE USED ONLY FOR RECORD AND REFERENCE PURPOSES. SHALL NOT BE USED OR CAUSED TO BE USED IN ANY WAY PREJUDICIAL TO THE INTERESTS OF DANFOSS DRIVES, SHALL NOT BE REPRODUCED OR COPIED IN WHOLE OR IN PART, OR DISCLOSED TO ANYONE WITHOUT THE DIRECT WRITTEN PERMISSION OF DANFOSS DRIVES AND SHALL BE RETURNED UPON REQUEST. |  |                   | APR | MODEL   | PAGE 1 OF 2 | SIZE A         | DWG NO. 174U2678 |
| REV | ECN     | DATE  |   |  |                   |     |   |             |                |                  |

|     |         |       |         |   |      |          |
|-----|---------|-------|---------|---|------|----------|
| REV | EON     | DATE  | DRN JNW | MODEL   | SIZE | DWG NO.  |
| A   | SP08066 | 10/08 | 2/14/07 | NAME 600 VOLT, 2C, CB<br>, DRIVE FUSE, EMB2, FRAME C2N12<br>, NO REACTOR & DVDI, DUAL MTR | A    | 174U2678 |

| POSITION | DRIVE | OFF | BYPASS |
|----------|-------|-----|--------|
| CONTACT  |       |     |        |
| 13-14    |       |     | X      |
| 23-24    | X     |     |        |

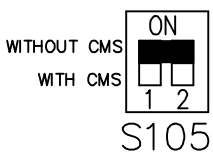
CONTACT SEQUENCE CHART FOR S1  
X INDICATES CONTACT CLOSED

NOTICE  
THIS DOCUMENT CONTAINS PROPRIETARY INFORMATION OF DANFOSS DRIVES. IT IS LOANED BY DANFOSS DRIVES SUBJECT TO THE CONDITIONS THAT IT AND THE INFORMATION EMBODIED THEREIN SHALL BE USED ONLY FOR RECORD AND REFERENCE PURPOSES. SHALL NOT BE USED OR CAUSED TO BE USED IN ANY WAY PREJUDICIAL TO THE INTERESTS OF DANFOSS DRIVES. SHALL NOT BE REPRODUCED OR COPIED IN WHOLE OR IN PART, OR DISCLOSED TO ANYONE WITHOUT THE DIRECT WRITTEN PERMISSION OF DANFOSS DRIVES AND SHALL BE RETURNED UPON REQUEST.

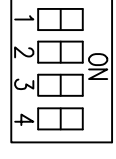


CUSTOMER CONNECTIONS X55, X56, X58  
CLASS 2 POWER SOURCE  
REQUIRED FOR FIELD CONNECTION  
USE CLASS 1 CONDUCTORS  
CONDUCTOR SIZE 28-14 AWG

FACTORY SETTING



S103



- CUSTOMER SETTING  
AUTOMATIC BYPASS TIME SELECT
- ONLY # 1 ON 30 SECONDS
  - ONLY # 2 ON 60 SEC.
  - ONLY # 3 ON 300 SEC
  - ALL ON 15 SEC.
  - ALL OFF NO AUTO BYPASS (FACTORY DEFAULT)

