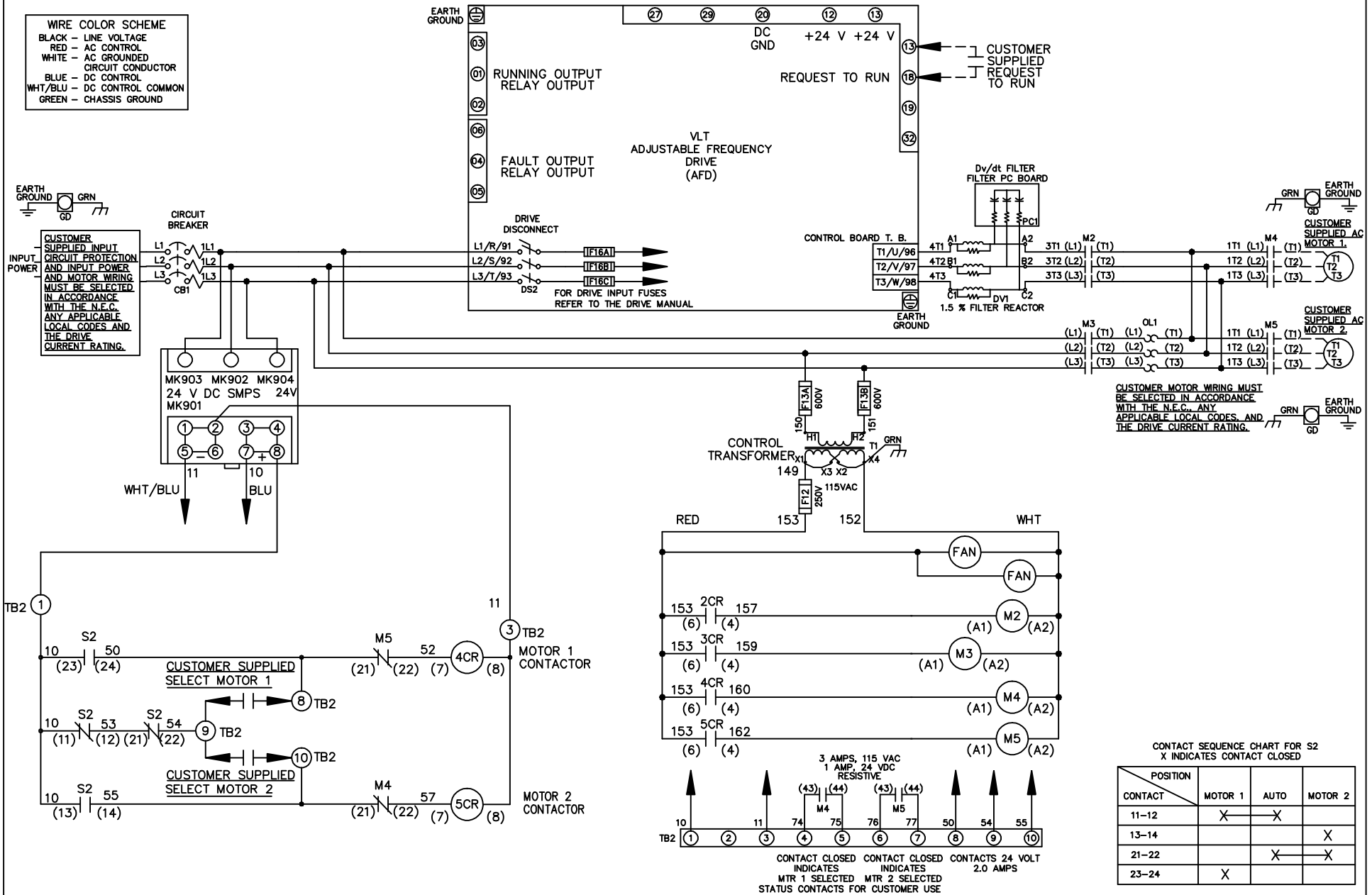


- WIRE COLOR SCHEME**
- BLACK - LINE VOLTAGE
 - RED - AC CONTROL
 - WHITE - AC GROUNDED CIRCUIT CONDUCTOR
 - BLUE - DC CONTROL
 - WHT/BLU - DC CONTROL COMMON
 - GREEN - CHASSIS GROUND



<p align="center">- NOTICE -</p> <p>THIS DOCUMENT CONTAINS PROPRIETARY INFORMATION OF DANFOSS DRIVES. IT IS LOANED BY DANFOSS DRIVES SUBJECT TO THE CONDITIONS THAT IT AND THE INFORMATION EMBODIED THEREIN SHALL BE USED ONLY FOR RECORD AND REFERENCE PURPOSES. SHALL NOT BE USED OR CAUSED TO BE USED IN ANY WAY PREJUDICIAL TO THE INTERESTS OF DANFOSS DRIVES, SHALL NOT BE REPRODUCED OR COPIED IN WHOLE OR IN PART, OR DISCLOSED TO ANYONE WITHOUT THE DIRECT WRITTEN PERMISSION OF DANFOSS DRIVES AND SHALL BE RETURNED UPON REQUEST.</p>			<p>DRN JNW 2/14/07</p>	<p>NAME 600 VOLT, 2C, CB & DRIVE DISC , DRIVE FUSE, ECB, FRAME D1-D2 , DVDT, CMS</p>		
REV	ECN	DATE	APR	MODEL	PAGE 1 OF 2	SIZE A
					DWG NO.	174U3049

REV	ECN	DATE
A	SP08066	10/08

NOTICE
 THIS DOCUMENT CONTAINS PROPRIETARY INFORMATION OF DANFOSS DRIVES. IT IS LOANED BY DANFOSS DRIVES SUBJECT TO THE CONDITIONS THAT IT AND THE INFORMATION EMBODIED THEREIN SHALL BE USED ONLY FOR RECORD AND REFERENCE PURPOSES. SHALL NOT BE USED OR COPIED OR REPRODUCED IN ANY MANNER WITHOUT THE EXPRESS WRITTEN PERMISSION OF DANFOSS DRIVES AND SHALL BE RETURNED UPON REQUEST.

DRN JUNW
 2/14/07
 APR

NAME 600 VOLT, 2C, CB & DRIVE DISC
 DRIVE FUSE, ECB, FRAME D1-D2
 , DVDT, CMS

MODEL

PAGE 2 OF 2

SIZE A

DWG NO. 174U3049



CUSTOMER CONNECTIONS X56, X57, X59
 CLASS 2 POWER SOURCE
 REQUIRED FOR FIELD CONNECTION
 USE CLASS 1 CONDUCTORS
 CONDUCTOR SIZE 28-14 AWG

