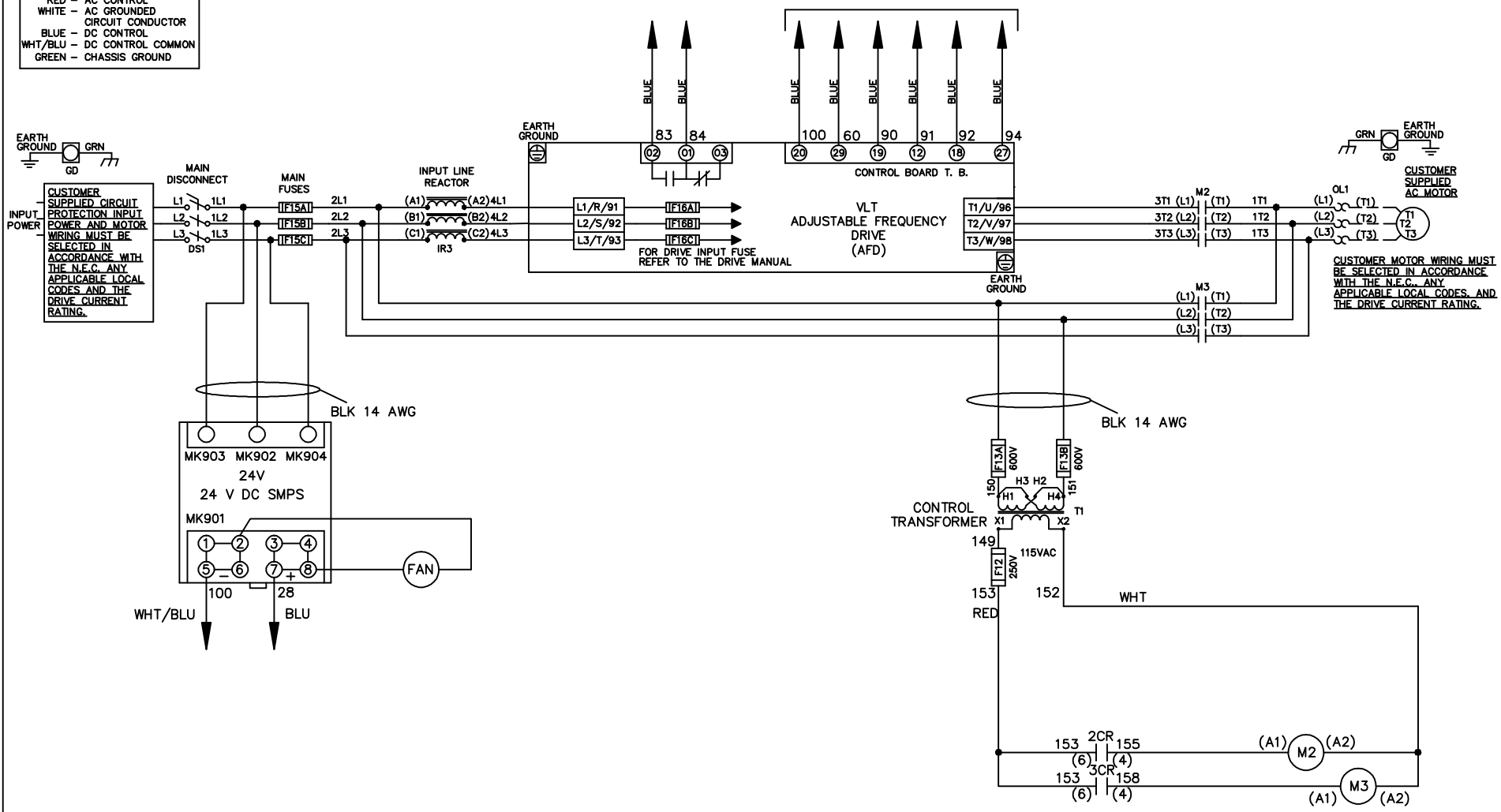


WIRE COLOR SCHEME
 BLACK - LINE VOLTAGE
 RED - AC CONTROL
 WHITE - AC GROUNDED
 CIRCUIT CONDUCTOR
 BLUE - DC CONTROL
 WHT/BLU - DC CONTROL COMMON
 GREEN - CHASSIS GROUND

* ALL CONTROL WIRES ARE BLUE EXCEPT WHERE NOTED. TO ELECTROMECHANICAL RELAY BOARD



-NOTICE-

THIS DRAWING IS PROPRIETARY AND SHALL NOT BE COPIED OR ITS CONTENTS DISCLOSED TO OUTSIDE PARTIES WITHOUT THE WRITTEN CONSENT OF THE TRANE COMPANY

DRN JNW
2/8/07

NAME 230 VOLT, 2C, MAIN DISC
 , MAIN FUSE, EMB2, FRAME C2N12
 , REACTOR, SINGLE MTR

THE TRANE COMPANY
 A DIVISION OF
 AMERICAN STANDARD INC.

| | | |
|-----|---------|-------|
| A | SP08061 | 10/08 |
| REV | ECN | DATE |

APR

MODEL

VLT

PAGE 1 OF 2

SIZE A

DWG NO.

174U6721

| | | | | | | | | | |
|--|---------|-------|-------------|--|--|--------------------------------|--|--|------------------------|
| REV | ECON | DATE | | | | | | | |
| A | SP08066 | 10/08 | | | | | | | |
| <p>THIS DRAWING IS PROPRIETARY AND SHALL NOT BE COPIED OR ITS CONTENTS DISCLOSED TO OUTSIDE PARTIES WITHOUT THE WRITTEN CONSENT OF THE TRANE COMPANY</p> | | | | | | | | | |
| DRN JNW | | | APR | | | NAME 230 VOLT, 2C MAIN DISC | | | THE TRANE COMPANY |
| 2/14/07 | | | | | | , MAIN FUSE, EMB2, FRAME C2N12 | | | A DIVISION OF |
| | | | MODEL | | | VLT | | | AMERICAN STANDARD INC. |
| | | | PAGE 2 OF 2 | | | SIZE A | | | |
| | | | DWG NO. | | | 174U6721 | | | |

CONTACT SEQUENCE CHART FOR S1
X INDICATES CONTACT CLOSED

| POSITION | DRIVE | OFF | BYPASS |
|----------|-------|-----|--------|
| 13-14 | | | X |
| 23-24 | X | | |

