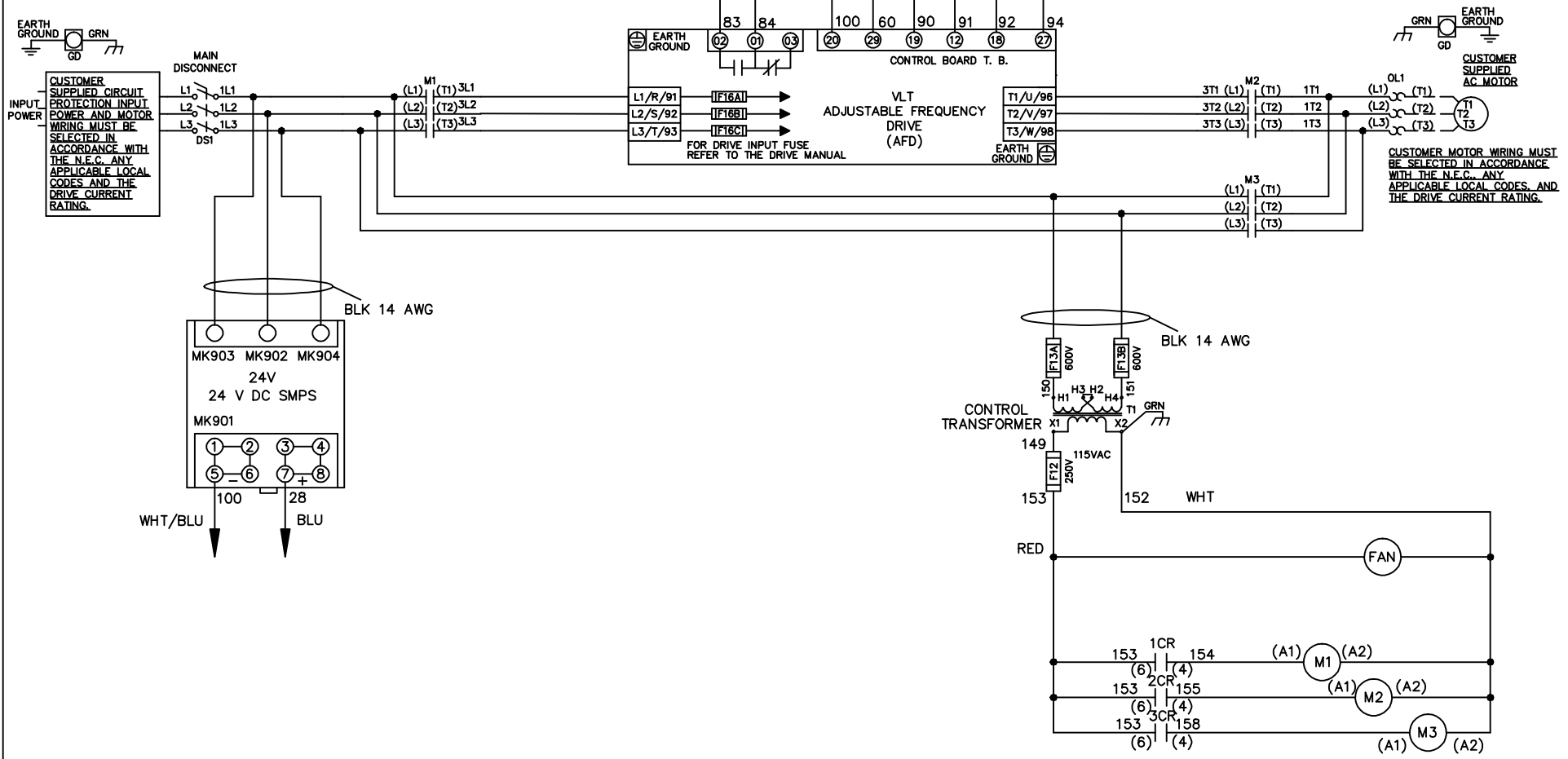


**WIRE COLOR SCHEME**  
 BLACK - LINE VOLTAGE  
 RED - AC CONTROL  
 WHITE - AC GROUNDED  
 BLUE - CIRCUIT CONDUCTOR  
 BLUE - DC CONTROL  
 WHT/BLU - DC CONTROL COMMON  
 GREEN - CHASSIS GROUND

\* ALL CONTROL WIRES ARE BLUE EXCEPT WHERE NOTED. TO ELECTROMECHANICAL RELAY BOARD



|     |         |       |  |  |                    |     |  |             |  |                  |
|-----|---------|-------|--|--|--------------------|-----|--|-------------|--|------------------|
|     |         |       | -NOTICE-   |  | DRN JNW<br>2/14/07 |     | NAME 460 VOLT, 3C, MAIN DISC<br>, DRIVE FUSE, EMB2, FRAME D1-D2<br>, NO REACTOR & DVDT, SINGLE MTR |             | THE TRANE COMPANY<br>A DIVISION OF<br>AMERICAN STANDARD INC. |                  |
| A   | SP08061 | 10/08 | THIS DRAWING IS PROPRIETARY AND SHALL NOT<br>BE COPIED OR ITS CONTENTS DISCLOSED TO<br>OUTSIDE PARTIES WITHOUT THE WRITTEN<br>CONSENT OF THE TRANE COMPANY |  |                    | APR | MODEL  | PAGE 1 OF 2 | SIZE A   | DWG NO. 174U8768 |
| REV | ECN     | DATE  |  |  |                    |     |  |             |  |                  |

|     |         |       |
|-----|---------|-------|
| REV | ECN     | DATE  |
| A   | SP08066 | 10/08 |

| CONTACT | POSITION | DRIVE | OFF | BYPASS | TEST |
|---------|----------|-------|-----|--------|------|
| 1-2     |          | X     |     |        |      |
| 3-4     |          |       |     | X      | X    |
| 5-6     |          | X     |     |        |      |
| 7-8     |          |       |     |        | X    |

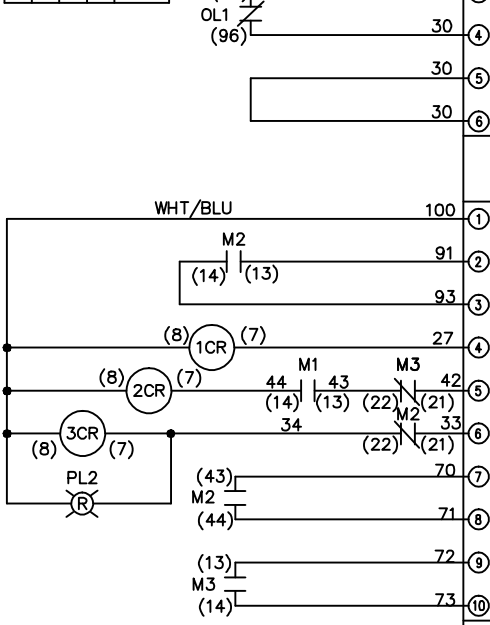
CONTACT SEQUENCE CHART FOR S1  
X INDICATES CONTACT CLOSED

-NOTICE-  
 THIS DRAWING IS PROPRIETARY AND SHALL NOT BE COPIED OR ITS CONTENTS DISCLOSED TO OUTSIDE PARTIES WITHOUT THE WRITTEN CONSENT OF THE TRANE COMPANY

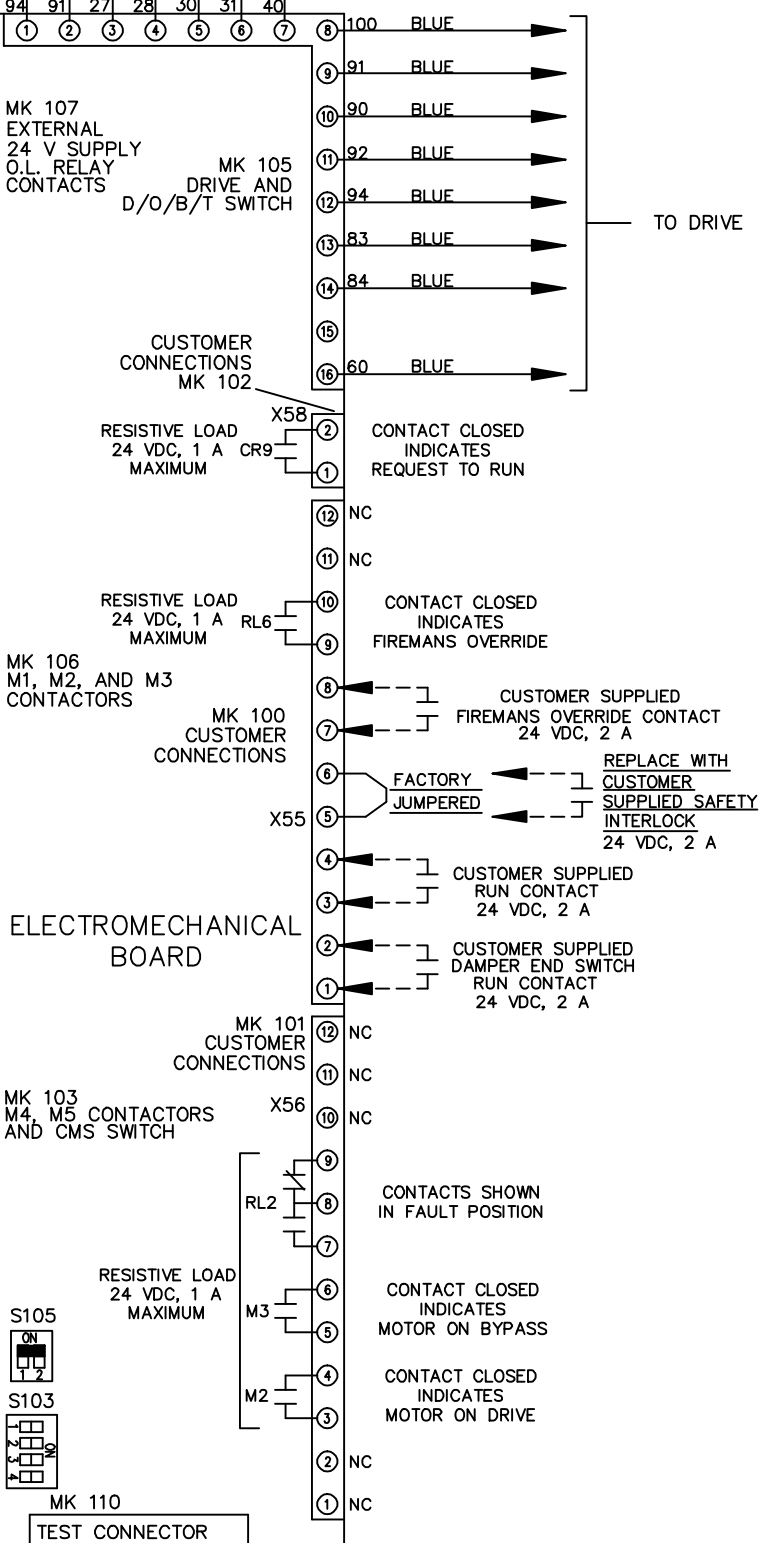
DRN JNW  
2/14/07  
APR

NAME 460 VOLT, 3C, MAIN DISC  
DRIVE FUSE, EMB2, FRAME D1-D2  
, NO REACTOR & DVDI, SINGLE MTR

THE TRANE COMPANY  
A DIVISION OF  
AMERICAN STANDARD INC.



CUSTOMER CONNECTIONS X55, X56, X58  
CLASS 2 POWER SOURCE  
REQUIRED FOR FIELD CONNECTION  
USE CLASS 1 CONDUCTORS  
CONDUCTOR SIZE 28-14 AWG



ELECTROMECHANICAL BOARD

